

<p>GlobTek, Inc. www.globtek.com 186 Veterans Drive, Northvale, NJ 07647 Tel. (201) 784-1000 Fax (201) 784-0111</p>	<p>Drawing Title: GTM91120-3024-T2, Medical/ICT/ITE/Household use Power Supply, Efficiency Level: V, Case Color/Style: GlobTek Black, Wall Plug-in+Desktop Combination, Regulated Switchmode AC-DC Power Supply AC Adaptor, Input Rating: 100-240V~, 50-60 Hz, IEC 60320/C8 w/ Wall Blades Option , Output Rating: 30W, 24.0V@1.25A, Output Configuration: 1830 mm, 18/1C + Shield Cond, UL 1185, Female Barrel 5.5*2.1*11mm No internal Spring Clip nor Locking Notch or Equal, Ferrite: Core Size: 14.2*28.5*8.2, GlobTek Black, GT Cord # C0827, Pin Out: Center Positive (+V), symbol compliant with IEC 60417 symbol no. 5926, Blades/Input Cord: R-Series Desktop Insert, Approvals: S-Mark IEC/EN 60601-1; SIQ 61558; EAC; UKCA; Conforms to 62368-1; cUL 60950; LPS 60950; CB EN/IEC 60335-1; RoHS; Level V; CE; China RoHS; LPS 62368; PSE; WEEE; Double Insulation; VCCI; Ukraine; FCC; SIQ; Book 60601; Fuse 60335; CB 60601-1; CB 60950; IEC 60335; IEC/EN60601-1; IEC/EN60950-1; CCC; cRUus; CE; RCM; S-Mark 60950; CE; ETL; CB 60335; PSE; PSE; PSE; S-Mark 62368; 61558-1; IEC 61558-1; Fuse 60335; IP40; IP52; Ta:40°C;</p>	
	<p>Model No. GTM91120-3024-T2</p>	
	<p>Part No./Ordering No. RR9KI1250CCPCIMRVB</p>	<p>Rev C</p>

In Addition to GlobTek Inc.'s renewed ISO9001:2015 - Quality Management System Certification, GlobTek Inc. is now certified to:

ISO13485:2016 - Medical Devices Quality Management System Certification
ISO14001:2015 - Environmental Management System Certification

ISO Certificates are available online at <https://www.globtek.com/iso-certificates/>

The acceptance of this specification and use of the product described in this document indicates the acceptance and binding of the customer to Globtek TERMS AND CONDITIONS (attached to the end of this document), which supersede all other agreements, terms, and conditions (<https://en.globtek.com/terms-and-conditions/>).

The purchaser of this product (Customer) agrees that it is their sole responsibility to determine suitability/fitness of the product described in this specification for their application and to take precautions for protection against any hazards attendant to the handling and use of the product.

Footnote:

GlobTek Inc. will not be liable for the safety and performance of these power supplies/battery packs if unauthorized access and repair occurs. End user should consult applicable UL, CSA or EN standards for proper installation instruction.

Limitation of Use:

GlobTek products are intended for use with commercial, medical, and/or industrial equipment only. GlobTek product are not authorized for use as mission critical components in life support hazardous environment, nuclear or aircraft applications without prior written approval from the CEO of GlobTek Inc.

Contents of this document are subject to change without prior notice.

Customer Approval of Specification:

Please approve, sign and send back to GlobTek so we can complete order processing.
A delay in receipt of this form will delay delivery schedule.

Company Name: _____	Customer P/N: _____
Quote Number: _____	Date: _____
Authorized Representative Name: _____	Authorized Representative Signature: _____

GlobTek, Inc. www.globtek.com 186 Veterans Drive, Northvale, NJ 07647 Tel. (201) 784-1000 Fax (201) 784-0111	Drawing Title: GTM91120-3024-T2, Medical/ICT/ITE/Household use Power Supply, Efficiency Level: V, Case Color/Style: GlobTek Black, Wall Plug-in+Desktop Combination, Regulated Switchmode AC-DC Power Supply AC Adaptor, Input Rating: 100-240V~, 50-60 Hz, IEC 60320/C8 w/ Wall Blades Option , Output Rating: 30W, 24.0V@1.25A, Output Configuration: 1830 mm, 18/1C + Shield Cond, UL 1185, Female Barrel 5.5*2.1*11mm No internal Spring Clip nor Locking Notch or Equal, Ferrite: Core Size: 14.2*28.5*8.2, GlobTek Black, GT Cord # C0827, Pin Out: Center Positive (+V), symbol compliant with IEC 60417 symbol no. 5926, Blades/Input Cord: R-Series Desktop Insert, Approvals: S-Mark IEC/EN 60601-1; SIQ 61558; EAC; UKCA; Conforms to 62368-1; cUL 60950; LPS 60950; CB EN/IEC 60335-1; RoHS; Level V; CE; China RoHS; LPS 62368; PSE; WEEE; Double Insulation; VCCI; Ukraine; FCC; SIQ; Book 60601; Fuse 60335; CB 60601-1; CB 60950; IEC 60335; IEC/EN60601-1; IEC/EN60950-1; CCC; cRUus; CE; RCM; S-Mark 60950; CE; ETL; CB 60335; PSE; PSE; PSE; PSE; S-Mark 62368; 61558-1; IEC 61558-1; Fuse 60335; IP40; IP52; Ta:40°C;	
	Model No. GTM91120-3024-T2	
	Part No./Ordering No. RR9KI1250CCPCIMRVB	Rev C

REVISION HISTORY

REV	DESCRIPTION	SUB	DATE	APPROVED
C	Add Grounding configuration, update approvals	QA	12/04/2018	QA
B	Changed Part # to RR9KI1250CCPCIMRVB. Added installed desktop insert.	sorec	02/17/2014	QA
A	Initial Release	msant	09/18/2013	QA

POWER SUPPLY INFORMATION

TYPE	Wall Plug-in+Desktop Combination
TECHNOLOGY	Regulated Switchmode AC-DC Power Supply AC Adaptor
CASE COLOR	GlobTek Black
NAMEPLATE RATED INPUT	100-240V~, 50-60 Hz, 1.5A
INPUT CONFIG	IEC 60320/C8 w/ Wall Blades Option
WATTS	30.00
VOLTS OUT	24.0
CURRENT OUT (Amps)	1.25
BLADE/CORD INCLUDED	R-DI R-Series Desktop Insert
BLADE/CORD INSTALLED	R-DI :R-Series Desktop Insert
INGRESS PROTECTION	IP40 (cord), IP52(R-blades)
GROUNDING CONFIGURATION	(F1) Class II / Double Insulated
EFFICIENCY LEVEL	V
OUTPUT CONFIGURATION	1830 mm, 18/1C + Shield Cond, UL 1185, Female Barrel 5.5*2.1*11mm No internal Spring Clip nor Locking Notch or Equal, Ferrite: Core Size: 14.2*28.5*8.2, GlobTek Black, GT Cord # C0827
OVERMOLDED	Yes
OUTPUT CONNECTOR GENDER	Female
CONNECTOR PIN OUT	Center Positive (+V), symbol compliant with IEC 60417 symbol no. 5926
LABEL SPECS	Standard GT,L-1186
SPECIAL BARCODE LABEL MATERIAL	No
PACK SPEC	Desktop/WPI with Desktop Insert T3
USER MANUAL	

GloTek, Inc. www.globtek.com 186 Veterans Drive, Northvale, NJ 07647 Tel. (201) 784-1000 Fax (201) 784-0111	Drawing Title: GTM91120-3024-T2, Medical/ICT/ITE/Household use Power Supply, Efficiency Level: V, Case Color/Style: GlobTek Black, Wall Plug-in+Desktop Combination, Regulated Switchmode AC-DC Power Supply AC Adaptor, Input Rating: 100-240V~, 50-60 Hz, IEC 60320/C8 w/ Wall Blades Option , Output Rating: 30W, 24.0V@1.25A, Output Configuration: 1830 mm, 18/1C + Shield Cond, UL 1185, Female Barrel 5.5*2.1*11mm No internal Spring Clip nor Locking Notch or Equal, Ferrite: Core Size: 14.2*28.5*8.2, GlobTek Black, GT Cord # C0827, Pin Out: Center Positive (+V), symbol compliant with IEC 60417 symbol no. 5926, Blades/Input Cord: R-Series Desktop Insert, Approvals: S-Mark IEC/EN 60601-1; SIQ 61558; EAC; UKCA; Conforms to 62368-1; cUL 60950; LPS 60950; CB EN/IEC 60335-1; RoHS; Level V; CE; China RoHS; LPS 62368; PSE; WEEE; Double Insulation; VCCI; Ukraine; FCC; SIQ; Book 60601; Fuse 60335; CB 60601-1; CB 60950; IEC 60335; IEC/EN60601-1; IEC/EN60950-1; CCC; cRUus; CE; RCM; S-Mark 60950; CE; ETL; CB 60335; PSE; PSE; PSE; PSE; S-Mark 62368; 61558-1; IEC 61558-1; Fuse 60335; IP40; IP52; Ta:40°C;	
	Model No. GTM91120-3024-T2	
	Part No./Ordering No. RR9KI1250CCPCIMRVB	Rev C

Notes/Modifications/Customizations (notes in this section supersede the values shown in the standard spec)

DIMENSIONS ARE IN MM UNLESS SPECIFIED OTHERWISE

DESKTOP INSERT INSTALLED

<p>GlobTek, Inc. www.globtek.com 186 Veterans Drive, Northvale, NJ 07647 Tel. (201) 784-1000 Fax (201) 784-0111</p>	<p>Drawing Title: GTM91120-3024-T2, Medical/ICT/ITE/Household use Power Supply, Efficiency Level: V, Case Color/Style: GlobTek Black, Wall Plug-in+Desktop Combination, Regulated Switchmode AC-DC Power Supply AC Adaptor, Input Rating: 100-240V~, 50-60 Hz, IEC 60320/C8 w/ Wall Blades Option , Output Rating: 30W, 24.0V@1.25A, Output Configuration: 1830 mm, 18/1C + Shield Cond, UL 1185, Female Barrel 5.5*2.1*11mm No internal Spring Clip nor Locking Notch or Equal, Ferrite: Core Size: 14.2*28.5*8.2, GlobTek Black, GT Cord # C0827, Pin Out: Center Positive (+V), symbol compliant with IEC 60417 symbol no. 5926, Blades/Input Cord: R-Series Desktop Insert, Approvals: S-Mark IEC/EN 60601-1; SIQ 61558; EAC; UKCA; Conforms to 62368-1; cUL 60950; LPS 60950; CB EN/IEC 60335-1; RoHS; Level V; CE; China RoHS; LPS 62368; PSE; WEEE; Double Insulation; VCCI; Ukraine; FCC; SIQ; Book 60601; Fuse 60335; CB 60601-1; CB 60950; IEC 60335; IEC/EN60601-1; IEC/EN60950-1; CCC; cRUus; CE; RCM; S-Mark 60950; CE; ETL; CB 60335; PSE; PSE; PSE; S-Mark 62368; 61558-1; IEC 61558-1; Fuse 60335; IP40; IP52; Ta:40°C;</p>	
	<p>Model No. GTM91120-3024-T2</p>	
	<p>Part No./Ordering No. RR9KI1250CCPCIMRVB</p>	<p>Rev C</p>

ELECTRICAL SPECIFICATIONS

A) ELECTRICAL SPECIFICATIONS:

1. Input Voltage: Specified 90-264 Vac, Nameplate rated: 100-240Vac
2. Input Frequency: Specified 47-63 Hz, Nameplate rated 50-60Hz
3. Output Regulation: +/- 5% measured at the output connector
4. Line Voltage Regulation: +/- 2% typical measured at full load
5. Output Ripple (Vp-p): +/-2% maximum, measured at 20 MHz bandwidth with 0.1 uf ceramic capacitor in parallel with 10 uf electrolytic capacitor connected at the end of the output connector
Optional low ripple option available (RFP4579)
6. Turn-ON/OFF Overshoot: 5% maximum, 500uS typical recovery time for 25% to 50% step load
7. Turn-ON Delay: 3 Seconds, maximum @ full load, nominal line
8. Hold-Up Time: 8 mS typical @ nominal input voltage and full load
9. Inrush Current: 60A maximum cold start @ 240Vac input
10. Switching Frequency: 100 KHz typical

B) PROTECTION

1. Over-Voltage: Protected with a Zener diode clamp across the output
2. Short Circuit: Hiccup with auto recovery
3. Over-load: Hiccup with auto recovery
4. Input Protection: Input line and neutral fusing

C) SAFETY

1. Dielectric Withstand Voltage: 5656Vdc from primary to secondary
2. Earth Leakage Current: N/A for Class II units, there is no PE Ground pin, so Earth Leakage current is not measured
3. Touch Current: Maximum allowed values: 100uA NC(Normal condition) 500uA SFC(single fault condition)

D) OTHER:

1. MTBF: 200,000 Hours @ 25°C ambient temperature
2. Operating Temperature: 0°C to 40°C ambient temperature
3. Humidity: 0% to 90% relative humidity
4. Storage Temperature: -40°C to 80°C "24h recovery time at room temperature".
5. Cooling: Convection
6. ROHS 2: Complies with EU 2011/65/EU and China SJ/T 11363-2006

E) ENCLOSURE

1. Housing: High impact plastic, 94V0 polycarbonate, non-vented
2. Size: (L)101.73 x (W)46.47 x (H)38.2 +/-1.0 mm
3. Markings: Label and/or Pad Printed and/or Molded in the case
4. LED: Standard GREEN color to indicate power out

PROPRIETARY INFORMATION

PROPRIETARY OF GLOBTEK, INC. ANY REPRODUCTION, DISCLOSURE OR USE OF THIS DRAWING, IN WHOLE OR IN PART, IS HEREBY PROHIBITED EXCEPT AS SPECIFIED IN WRITING BY GLOBTEK, INC. © GlobTek, Inc. 2013 - 2023

<p>GlobTek, Inc. www.globtek.com 186 Veterans Drive, Northvale, NJ 07647 Tel. (201) 784-1000 Fax (201) 784-0111</p>	<p>Drawing Title: GTM91120-3024-T2, Medical/ICT/ITE/Household use Power Supply, Efficiency Level: V, Case Color/Style: GlobTek Black, Wall Plug-in+Desktop Combination, Regulated Switchmode AC-DC Power Supply AC Adaptor, Input Rating: 100-240V~, 50-60 Hz, IEC 60320/C8 w/ Wall Blades Option , Output Rating: 30W, 24.0V@1.25A, Output Configuration: 1830 mm, 18/1C + Shield Cond, UL 1185, Female Barrel 5.5*2.1*11mm No internal Spring Clip nor Locking Notch or Equal, Ferrite: Core Size: 14.2*28.5*8.2, GlobTek Black, GT Cord # C0827, Pin Out: Center Positive (+V), symbol compliant with IEC 60417 symbol no. 5926, Blades/Input Cord: R-Series Desktop Insert, Approvals: S-Mark IEC/EN 60601-1; SIQ 61558; EAC; UKCA; Conforms to 62368-1; cUL 60950; LPS 60950; CB EN/IEC 60335-1; RoHS; Level V; CE; China RoHS; LPS 62368; PSE; WEEE; Double Insulation; VCCI; Ukraine; FCC; SIQ; Book 60601; Fuse 60335; CB 60601-1; CB 60950; IEC 60335; IEC/EN60601-1; IEC/EN60950-1; CCC; cRUus; CE; RCM; S-Mark 60950; CE; ETL; CB 60335; PSE; PSE; PSE; PSE; S-Mark 62368; 61558-1; IEC 61558-1; Fuse 60335; IP40; IP52; Ta:40°C;</p>	
	<p>Model No. GTM91120-3024-T2</p>	
	<p>Part No./Ordering No. RR9KI1250CCPCIMRVB</p>	<p>Rev C</p>

TO ADDRESS SYSTEM-LEVEL EMI CONCERNS, FERRITE CHOKES/BEADS MAY BE ADDED/REVISED UPON REQUEST. A SAMPLE KIT OF GLOBTEK'S STANDARD FERRITES IS AVAILABLE UNDER GLOBTEK P/N: EMI-MITIGATION-KIT1

FOR ADDITIONAL INFORMATION, PLEASE READ OUR WHITE PAPER AT: <https://r.globtek.info/3QeaqtD>

INGRESS PROTECTION: IP40 (cord), IP52(R-blades)

<p>GlobTek, Inc. www.globtek.com 186 Veterans Drive, Northvale, NJ 07647 Tel. (201) 784-1000 Fax (201) 784-0111</p>	<p>Drawing Title: GTM91120-3024-T2, Medical/ICT/ITE/Household use Power Supply, Efficiency Level: V, Case Color/Style: GlobTek Black, Wall Plug-in+Desktop Combination, Regulated Switchmode AC-DC Power Supply AC Adaptor, Input Rating: 100-240V~, 50-60 Hz, IEC 60320/C8 w/ Wall Blades Option , Output Rating: 30W, 24.0V@1.25A, Output Configuration: 1830 mm, 18/1C + Shield Cond, UL 1185, Female Barrel 5.5*2.1*11mm No internal Spring Clip nor Locking Notch or Equal, Ferrite: Core Size: 14.2*28.5*8.2, GlobTek Black, GT Cord # C0827, Pin Out: Center Positive (+V), symbol compliant with IEC 60417 symbol no. 5926, Blades/Input Cord: R-Series Desktop Insert, Approvals: S-Mark IEC/EN 60601-1; SIQ 61558; EAC; UKCA; Conforms to 62368-1; cUL 60950; LPS 60950; CB EN/IEC 60335-1; RoHS; Level V; CE; China RoHS; LPS 62368; PSE; WEEE; Double Insulation; VCCI; Ukraine; FCC; SIQ; Book 60601; Fuse 60335; CB 60601-1; CB 60950; IEC 60335; IEC/EN60601-1; IEC/EN60950-1; CCC; cRUus; CE; RCM; S-Mark 60950; CE; ETL; CB 60335; PSE; PSE; PSE; PSE; S-Mark 62368; 61558-1; IEC 61558-1; Fuse 60335; IP40; IP52; Ta:40°C;</p>	
	<p>Model No. GTM91120-3024-T2</p>	
	<p>Part No./Ordering No. RR9KI1250CCPCIMRVB</p>	<p>Rev C</p>



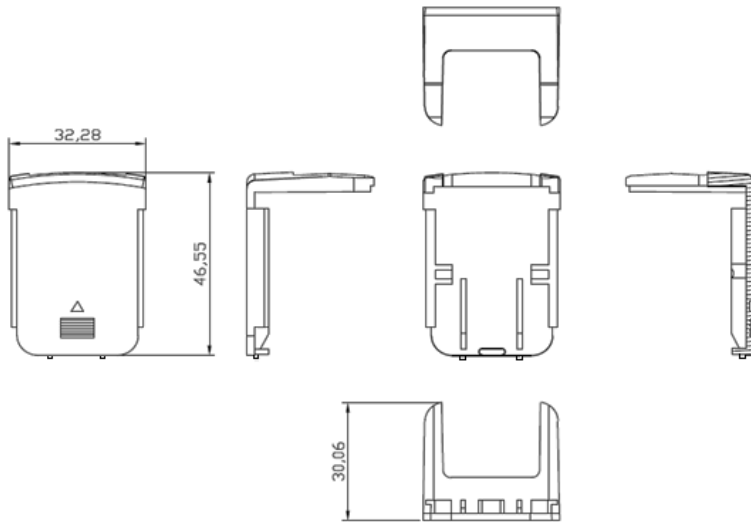
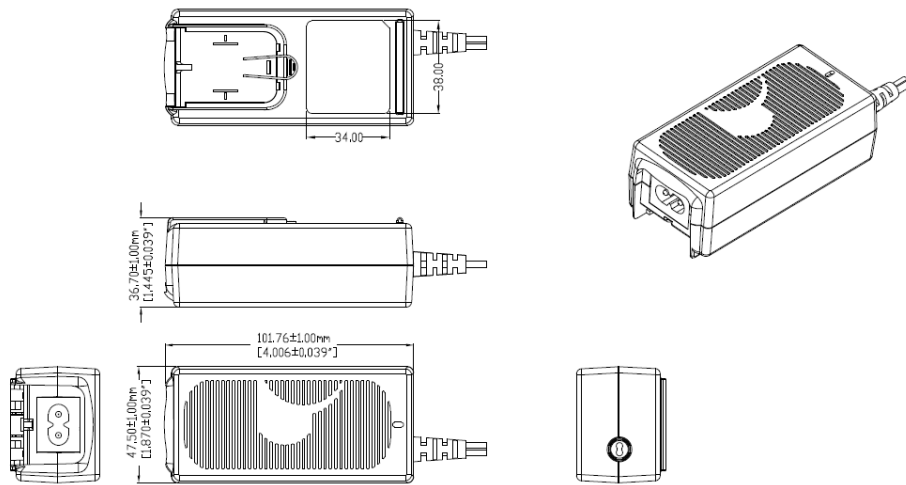
GlobTek, Inc.
 www.globtek.com
 186 Veterans Drive,
 Northvale, NJ 07647
 Tel. (201) 784-1000
 Fax (201) 784-0111

Drawing Title: GTM91120-3024-T2, Medical/ICT/ITE/Household use Power Supply, Efficiency Level: V, Case Color/Style: GlobTek Black, Wall Plug-in+Desktop Combination, Regulated Switchmode AC-DC Power Supply AC Adaptor, Input Rating: 100-240V~, 50-60 Hz, IEC 60320/C8 w/ Wall Blades Option , Output Rating: 30W, 24.0V@1.25A, Output Configuration: 1830 mm, 18/1C + Shield Cond, UL 1185, Female Barrel 5.5*2.1*11mm No internal Spring Clip nor Locking Notch or Equal, Ferrite Core Size: 14.2*28.5*8.2, GlobTek Black, GT Cord # C0827, Pin Out: Center Positive (+V), symbol compliant with IEC 60417 symbol no. 5926, Blades/Input Cord: R-Series Desktop Insert, Approvals: S-Mark IEC/EN 60601-1; SIQ 61558; EAC; UKCA; Conforms to 62368-1; cUL 60950; LPS 60950; CB EN/IEC 60335-1; RoHS; Level V; CE; China RoHS; LPS 62368; PSE; WEEE; Double Insulation; VCCI; Ukraine; FCC; SIQ; Book 60601; Fuse 60335; CB 60601-1; CB 60950; IEC 60335; IEC/EN60601-1; IEC/EN60950-1; CCC; cRUus; CE; RCM; S-Mark 60950; CE; ETL; CB 60335; PSE; PSE; PSE; PSE; S-Mark 62368; 61558-1; IEC 61558-1; Fuse 60335; IP40; IP52; Ta:40°C;

Model No. GTM91120-3024-T2

Part No./Ordering No. RR9KI1250CCPCIMRVB

Rev C



Units shipped without an installed input plug have a "desktop insert" installed.

GlobTek, Inc.
 www.globtek.com
 186 Veterans Drive,
 Northvale, NJ 07647
 Tel. (201) 784-1000
 Fax (201) 784-0111

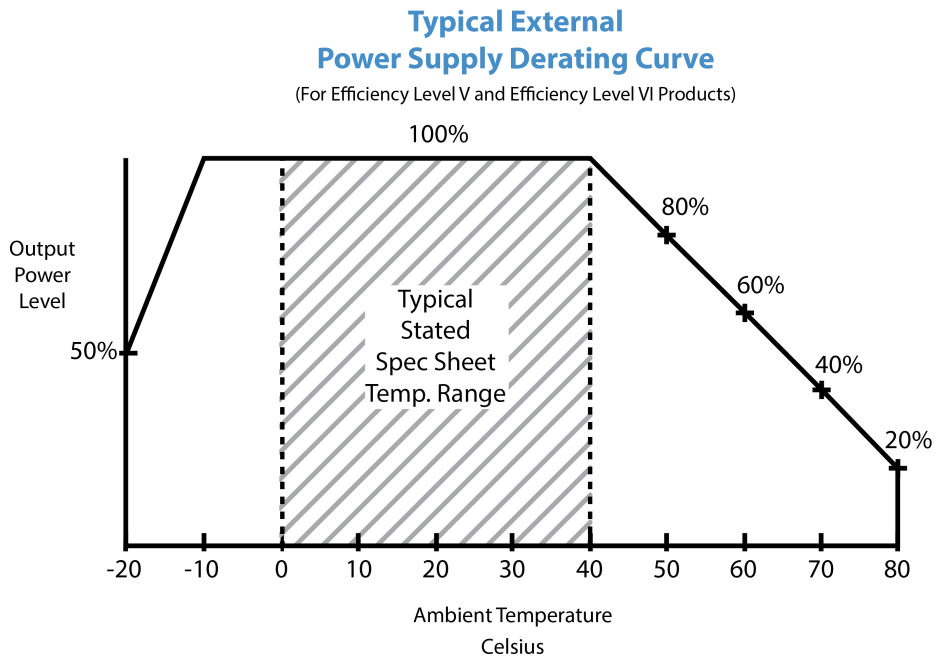
Drawing Title: GTM91120-3024-T2, Medical/ICT/ITE/Household use Power Supply, Efficiency Level: V, Case Color/Style: GlobTek Black, Wall Plug-in+Desktop Combination, Regulated Switchmode AC-DC Power Supply AC Adaptor, Input Rating: 100-240V~, 50-60 Hz, IEC 60320/C8 w/ Wall Blades Option , Output Rating: 30W, 24.0V@1.25A, Output Configuration: 1830 mm, 18/1C + Shield Cond, UL 1185, Female Barrel 5.5*2.1*11mm No internal Spring Clip nor Locking Notch or Equal, Ferrite: Core Size: 14.2*28.5*8.2, GlobTek Black, GT Cord # C0827, Pin Out: Center Positive (+V), symbol compliant with IEC 60417 symbol no. 5926, Blades/Input Cord: R-Series Desktop Insert, Approvals: S-Mark IEC/EN 60601-1; SIQ 61558; EAC; UKCA; Conforms to 62368-1; cUL 60950; LPS 60950; CB EN/IEC 60335-1; RoHS; Level V; CE; China RoHS; LPS 62368; PSE; WEEE; Double Insulation; VCCI; Ukraine; FCC; SIQ; Book 60601; Fuse 60335; CB 60601-1; CB 60950; IEC 60335; IEC/EN60601-1; IEC/EN60950-1; CCC; cRUus; CE; RCM; S-Mark 60950; CE; ETL; CB 60335; PSE; PSE; PSE; PSE; S-Mark 62368; 61558-1; IEC 61558-1; Fuse 60335; IP40; IP52; Ta:40°C;

Model No. GTM91120-3024-T2

Part No./Ordering No. RR9KI1250CCPCIMRVB

Rev C

DERATING CURVE



<p>GlobTek, Inc. www.globtek.com 186 Veterans Drive, Northvale, NJ 07647 Tel. (201) 784-1000 Fax (201) 784-0111</p>	<p>Drawing Title: GTM91120-3024-T2, Medical/ICT/ITE/Household use Power Supply, Efficiency Level: V, Case Color/Style: GlobTek Black, Wall Plug-in+Desktop Combination, Regulated Switchmode AC-DC Power Supply AC Adaptor, Input Rating: 100-240V~, 50-60 Hz, IEC 60320/C8 w/ Wall Blades Option , Output Rating: 30W, 24.0V@1.25A, Output Configuration: 1830 mm, 18/1C + Shield Cond, UL 1185, Female Barrel 5.5*2.1*11mm No internal Spring Clip nor Locking Notch or Equal, Ferrite: Core Size: 14.2*28.5*8.2, GlobTek Black, GT Cord # C0827, Pin Out: Center Positive (+V), symbol compliant with IEC 60417 symbol no. 5926, Blades/Input Cord: R-Series Desktop Insert, Approvals: S-Mark IEC/EN 60601-1; SIQ 61558; EAC; UKCA; Conforms to 62368-1; cUL 60950; LPS 60950; CB EN/IEC 60335-1; RoHS; Level V; CE; China RoHS; LPS 62368; PSE; WEEE; Double Insulation; VCCI; Ukraine; FCC; SIQ; Book 60601; Fuse 60335; CB 60601-1; CB 60950; IEC 60335; IEC/EN60601-1; IEC/EN60950-1; CCC; cRUus; CE; RCM; S-Mark 60950; CE; ETL; CB 60335; PSE; PSE; PSE; PSE; S-Mark 62368; 61558-1; IEC 61558-1; Fuse 60335; IP40; IP52; Ta:40°C;</p>	
	<p>Model No. GTM91120-3024-T2</p>	
	<p>Part No./Ordering No. RR9KI1250CCPCIMRVB</p>	<p>Rev C</p>

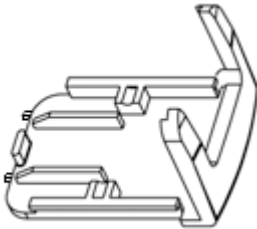
INPUT CONFIGURATION

(F1) Class II / Double Insulated



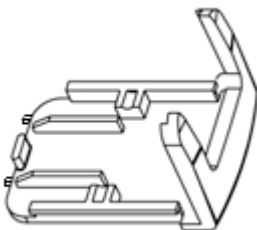
[Alternate grounding configurations](#) available upon request.

Blades/Cord Included:R-DI:R-Series Desktop Insert



Desktop Insert Installed

Blades/Cord Installed:R-DI:R-Series Desktop Insert

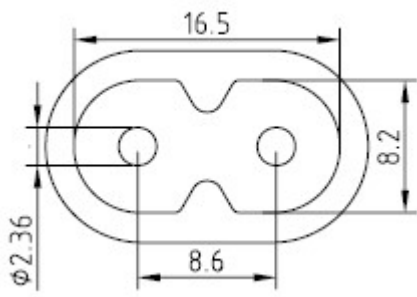


Desktop Insert Installed

IEC 60320/C8 AC Inlet connector

GlobTek, Inc. www.globtek.com 186 Veterans Drive, Northvale, NJ 07647 Tel. (201) 784-1000 Fax (201) 784-0111	Drawing Title: GTM91120-3024-T2, Medical/ICT/ITE/Household use Power Supply, Efficiency Level: V, Case Color/Style: GlobTek Black, Wall Plug-in+Desktop Combination, Regulated Switchmode AC-DC Power Supply AC Adaptor, Input Rating: 100-240V~, 50-60 Hz, IEC 60320/C8 w/ Wall Blades Option , Output Rating: 30W, 24.0V@1.25A, Output Configuration: 1830 mm, 18/1C + Shield Cond, UL 1185, Female Barrel 5.5*2.1*11mm No internal Spring Clip nor Locking Notch or Equal, Ferrite: Core Size: 14.2*28.5*8.2, GlobTek Black, GT Cord # C0827, Pin Out: Center Positive (+V), symbol compliant with IEC 60417 symbol no. 5926, Blades/Input Cord: R-Series Desktop Insert, Approvals: S-Mark IEC/EN 60601-1; SIQ 61558; EAC; UKCA; Conforms to 62368-1; cUL 60950; LPS 60950; CB EN/IEC 60335-1; RoHS; Level V; CE; China RoHS; LPS 62368; PSE; WEEE; Double Insulation; VCCI; Ukraine; FCC; SIQ; Book 60601; Fuse 60335; CB 60601-1; CB 60950; IEC 60335; IEC/EN60601-1; IEC/EN60950-1; CCC; cRUus; CE; RCM; S-Mark 60950; CE; ETL; CB 60335; PSE; PSE; PSE; PSE; S-Mark 62368; 61558-1; IEC 61558-1; Fuse 60335; IP40; IP52; Ta:40°C;	
	Model No. GTM91120-3024-T2	
	Part No./Ordering No. RR9KI1250CCPCIMRVB	Rev C

[Blade Insertion Instructions](#)
[R-Blade Style Instruction Video](#)



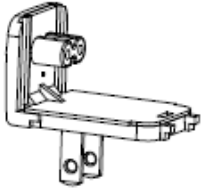
Mates with IEC 60320/C8 Plug

This series of Interchangeable Blade products may be used with Proprietary Interchangeable Blades as described below or with standard international power cords.

Optional INPUT BLADES: R-Socket: below are available blades configurations which are "not included" (unless stated above); may be purchased separately, packaged with power supply, or as a separate "R-KIT" if specified

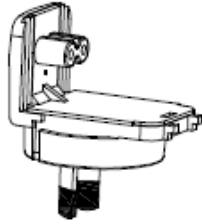
# Part Number	Main Country/Region	Plug	IECEE Type
1 R-NA-2(R)	North America, Japan	Nema 1-15P	Type A
2 R-SAA-2(R)	Australia/New Zealand	AS/NZ 3112	Type I
3 R-UK-2(R)	United Kingdom/Ireland	UK, Hong Kong, Singapore, Gulf States	Type G
4 R-EU-2(R)	Europe	CEE 7/16	Type C
5 R-CN-2(R)	China	GB 2099	Type A
6 461-03030003(R)	N/A	R-DI(R) Desktop Insert for use with a cord	N/A
7 R-KIT-2(R)	prepackaged kit	1,2,3,4 above	N/A
8 R-KIT-2-INTL(R)	prepackaged kit	2,3,4 above	N/A

<p>GlobTek, Inc. www.globtek.com 186 Veterans Drive, Northvale, NJ 07647 Tel. (201) 784-1000 Fax (201) 784-0111</p>	<p>Drawing Title: GTM91120-3024-T2, Medical/ICT/ITE/Household use Power Supply, Efficiency Level: V, Case Color/Style: GlobTek Black, Wall Plug-in+Desktop Combination, Regulated Switchmode AC-DC Power Supply AC Adaptor, Input Rating: 100-240V~, 50-60 Hz, IEC 60320/C8 w/ Wall Blades Option , Output Rating: 30W, 24.0V@1.25A, Output Configuration: 1830 mm, 18/1C + Shield Cond, UL 1185, Female Barrel 5.5*2.1*11mm No internal Spring Clip nor Locking Notch or Equal, Ferrite: Core Size: 14.2*28.5*8.2, GlobTek Black, GT Cord # C0827, Pin Out: Center Positive (+V), symbol compliant with IEC 60417 symbol no. 5926, Blades/Input Cord: R-Series Desktop Insert, Approvals: S-Mark IEC/EN 60601-1; SIQ 61558; EAC; UKCA; Conforms to 62368-1; cUL 60950; LPS 60950; CB EN/IEC 60335-1; RoHS; Level V; CE; China RoHS; LPS 62368; PSE; WEEE; Double Insulation; VCCI; Ukraine; FCC; SIQ; Book 60601; Fuse 60335; CB 60601-1; CB 60950; IEC 60335; IEC/EN60601-1; IEC/EN60950-1; CCC; cRUus; CE; RCM; S-Mark 60950; CE; ETL; CB 60335; PSE; PSE; PSE; PSE; S-Mark 62368; 61558-1; IEC 61558-1; Fuse 60335; IP40; IP52; Ta:40°C;</p>	
	<p>Model No. GTM91120-3024-T2</p>	
	<p>Part No./Ordering No. RR9KI1250CCPCIMRVB</p>	<p>Rev C</p>



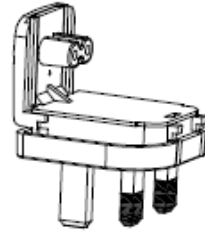
UL 2P

P/N: R-NA-2(R)
NORTH AMERICA
JAPAN



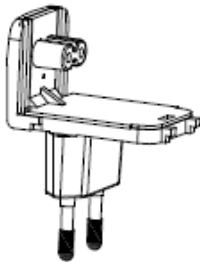
AUS 2P

P/N: R-SAA-2(R)
AUSTRALIA



UK 2P

P/N: R-UK-2(R)
UNITED KINGDOM
HONG KONG
SINGAPORE



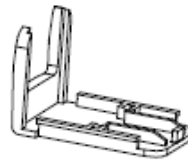
EU 2P

P/N: R-EU-2(R)
EUROPE
SOUTH AMERICA



CN 2P

P/N: R-CN-2(R)
CHINA



R-DI

P/N: R-DI
DESKTOP INSERT

Standard Cordsets

Below are standard cordsets which are "not included" (unless stated above); these may be purchased separately or packaged with the power supply. Contact your Sales Engineer if the style required is not shown below. Many more available in different lengths, colors or cable material.

[Standard International IEC 320/C7 Cordsets](#)

GlobTek, Inc. www.globtek.com 186 Veterans Drive, Northvale, NJ 07647 Tel. (201) 784-1000 Fax (201) 784-0111	Drawing Title: GTM91120-3024-T2, Medical/ICT/ITE/Household use Power Supply, Efficiency Level: V, Case Color/Style: GlobTek Black, Wall Plug-in+Desktop Combination, Regulated Switchmode AC-DC Power Supply AC Adaptor, Input Rating: 100-240V~, 50-60 Hz, IEC 60320/C8 w/ Wall Blades Option , Output Rating: 30W, 24.0V@1.25A, Output Configuration: 1830 mm, 18/1C + Shield Cond, UL 1185, Female Barrel 5.5*2.1*11mm No internal Spring Clip nor Locking Notch or Equal, Ferrite: Core Size: 14.2*28.5*8.2, GlobTek Black, GT Cord # C0827, Pin Out: Center Positive (+V), symbol compliant with IEC 60417 symbol no. 5926, Blades/Input Cord: R-Series Desktop Insert, Approvals: S-Mark IEC/EN 60601-1; SIQ 61558; EAC; UKCA; Conforms to 62368-1; cUL 60950; LPS 60950; CB EN/IEC 60335-1; RoHS; Level V; CE; China RoHS; LPS 62368; PSE; WEEE; Double Insulation; VCCI; Ukraine; FCC; SIQ; Book 60601; Fuse 60335; CB 60601-1; CB 60950; IEC 60335; IEC/EN60601-1; IEC/EN60950-1; CCC; cRUus; CE; RCM; S-Mark 60950; CE; ETL; CB 60335; PSE; PSE; PSE; PSE; S-Mark 62368; 61558-1; IEC 61558-1; Fuse 60335; IP40; IP52; Ta:40°C;	
	Model No. GTM91120-3024-T2	
	Part No./Ordering No. RR9KI1250CCPCIMRVB	Rev C

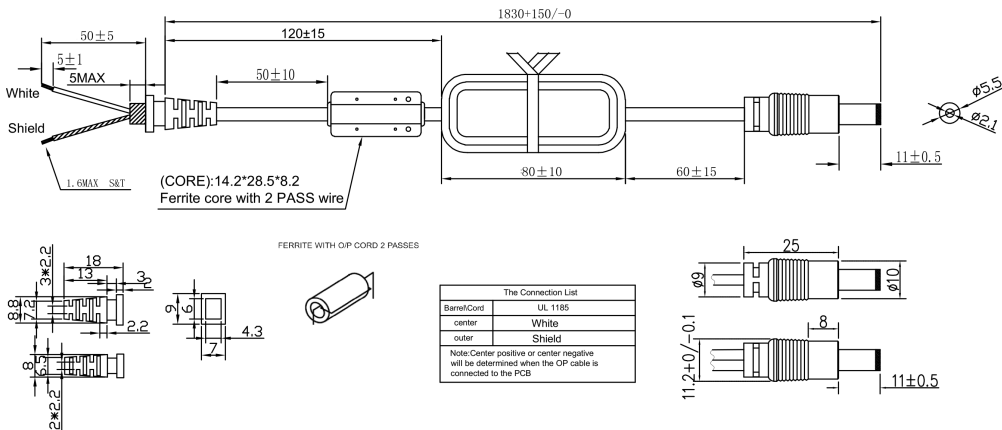
Part Number	Country	Plug	Connector	Length (mm)	Length (feet)
2094112M703(R)	Argentina (Type I)	IRAM 2063	IEC 320/C7	2000	7
5014112M703A(R)	Australian (Type I)	AS 3112	IEC 320/C7	2000	7
207B4111M8703(R)	Brazil (Type N)	NBR14136	IEC 320/C7	1800	6
4533501M8703(R)	China (Type A)	GB 2099.1	IEC 320/C7	1830	6
2074112M703A(R)	European (Type C)	CEE 7/16	IEC 320/C7	2000	7
2084111M8703(R)	South Africa (Type M)	BS 546	IEC 320/C7	1800	6
2084111M8703B(R)	India (Type D)	ISI:1293	IEC 320/C7	1800	6
2714111M8703A(R)	India (Type C)	ISI:1293	IEC 320/C7	1800	6
451J3401M8703(R)	Japan (Type A)	JIS 8303	IEC 320/C7	1830	6
2044112M703A(R)	Korea (Type C)	KS C8305	IEC 320/C7	2000	7
4511116F703A(R)	N. American (Type A)	NEMA 1-15P	IEC 320/C7	1830	6
4033401M8703A(R)	Taiwan (Type A)	CNS690	IEC 320/C7	1830	6
6104112M703A(R)	UK, Hong Kong, Singapore, Gulf States (Type G)	BS1363	IEC 320/C7	2000	7

GlobTek, Inc. www.globtek.com 186 Veterans Drive, Northvale, NJ 07647 Tel. (201) 784-1000 Fax (201) 784-0111	Drawing Title: GTM91120-3024-T2, Medical/ICT/ITE/Household use Power Supply, Efficiency Level: V, Case Color/Style: GlobTek Black, Wall Plug-in+Desktop Combination, Regulated Switchmode AC-DC Power Supply AC Adaptor, Input Rating: 100-240V~, 50-60 Hz, IEC 60320/C8 w/ Wall Blades Option , Output Rating: 30W, 24.0V@1.25A, Output Configuration: 1830 mm, 18/1C + Shield Cond, UL 1185, Female Barrel 5.5*2.1*11mm No internal Spring Clip nor Locking Notch or Equal, Ferrite: Core Size: 14.2*28.5*8.2, GlobTek Black, GT Cord # C0827, Pin Out: Center Positive (+V), symbol compliant with IEC 60417 symbol no. 5926, Blades/Input Cord: R-Series Desktop Insert, Approvals: S-Mark IEC/EN 60601-1; SIQ 61558; EAC; UKCA; Conforms to 62368-1; cUL 60950; LPS 60950; CB EN/IEC 60335-1; RoHS; Level V; CE; China RoHS; LPS 62368; PSE; WEEE; Double Insulation; VCCI; Ukraine; FCC; SIQ; Book 60601; Fuse 60335; CB 60601-1; CB 60950; IEC 60335; IEC/EN60601-1; IEC/EN60950-1; CCC; cRUus; CE; RCM; S-Mark 60950; CE; ETL; CB 60335; PSE; PSE; PSE; PSE; S-Mark 62368; 61558-1; IEC 61558-1; Fuse 60335; IP40; IP52; Ta:40°C;	
	Model No. GTM91120-3024-T2	
	Part No./Ordering No. RR9KI1250CCPCIMRVB	Rev C

OUTPUT CORD AND CONNECTOR: C1/C0827

ACTUAL CONNECTORS, OVERMOLDS, FERRITES MAY VARY SLIGHTLY FROM THE PICTURE BELOW

CABLE TYPE	UL 1185
CABLE LENGTH (mm)	1830
CABLE TOLERANCE (mm)	+150-0
WIRE GAUGE (AWG)	18
CONDUCTORS	1C + Shield
HANK DIMENSION (mm)	80 +/-10
CABLE / CONNECTOR OVERMOLD COLOR	GlobTek Black
FERRITE TYPE AND DIMENSION	Core Size: 14.2*28.5*8.2
FERRITE NUMBER OF TURNS(Definition)	2 Pass thru core (1 turns)
FERRITE DIMENSION FROM STRAIN RELIEF	50 +/-10
FERRITE DIMENSION FROM PLUG	N/A
PLUG TYPE	Female Barrel 5.5*2.1*11mm No internal Spring Clip nor Locking Notch or Equal
OUTPUT CONNECTOR GENDER	Female
OVERMOLDED	Yes
OVER MOLD ORIENTATION	Straight
CONNECTOR PIN OUT	Center Positive (+V), symbol compliant with IEC 60417 symbol no. 5926



ADDITIONAL OUTPUT PLUG OPTIONS ARE AVAILABLE AT <https://www.globtek.com/connectors/>
 STANDARD PLUGS AND CONNECTORS CAN BE SEEN ONLINE AT <https://www.globtek.com/connectors/>
 CALCULATE VOLTAGE REGULATION/DROP WITH OUR ONLINE CALCULATOR: <https://en.globtek.com/output-cable-regulation-calculator/>

<p>GlobTek, Inc. www.globtek.com 186 Veterans Drive, Northvale, NJ 07647 Tel. (201) 784-1000 Fax (201) 784-0111</p>	<p>Drawing Title: GTM91120-3024-T2, Medical/ICT/ITE/Household use Power Supply, Efficiency Level: V, Case Color/Style: GlobTek Black, Wall Plug-in+Desktop Combination, Regulated Switchmode AC-DC Power Supply AC Adaptor, Input Rating: 100-240V~, 50-60 Hz, IEC 60320/C8 w/ Wall Blades Option , Output Rating: 30W, 24.0V@1.25A, Output Configuration: 1830 mm, 18/1C + Shield Cond, UL 1185, Female Barrel 5.5*2.1*11mm No internal Spring Clip nor Locking Notch or Equal, Ferrite: Core Size: 14.2*28.5*8.2, GlobTek Black, GT Cord # C0827, Pin Out: Center Positive (+V), symbol compliant with IEC 60417 symbol no. 5926, Blades/Input Cord: R-Series Desktop Insert, Approvals: S-Mark IEC/EN 60601-1; SIQ 61558; EAC; UKCA; Conforms to 62368-1; cUL 60950; LPS 60950; CB EN/IEC 60335-1; RoHS; Level V; CE; China RoHS; LPS 62368; PSE; WEEE; Double Insulation; VCCI; Ukraine; FCC; SIQ; Book 60601; Fuse 60335; CB 60601-1; CB 60950; IEC 60335; IEC/EN60601-1; IEC/EN60950-1; CCC; cRUus; CE; RCM; S-Mark 60950; CE; ETL; CB 60335; PSE; PSE; PSE; PSE; S-Mark 62368; 61558-1; IEC 61558-1; Fuse 60335; IP40; IP52; Ta:40°C;</p>	
	<p>Model No. GTM91120-3024-T2</p>	
	<p>Part No./Ordering No. RR9KI1250CCPCIMRVB</p>	<p>Rev C</p>

OUTPUT CONNECTOR HOOK UP

TO ADDRESS SYSTEM-LEVEL EMI CONCERNS, FERRITE CHOKES/BEADS MAY BE ADDED/REVISED UPON REQUEST. A SAMPLE KIT OF GLOBTEK'S STANDARD FERRITES IS AVAILABLE UNDER GLOBTEK P/N: EMI-MITIGATION-KIT1

FOR ADDITIONAL INFORMATION, PLEASE READ OUR WHITE PAPER AT:

<https://en.globtek.com/technical-articles/ferrite-kit-radiated-emi-suppression-kit-for-globtek-power-supplies-cable-assemblies>

GlobTek, Inc. www.globtek.com 186 Veterans Drive, Northvale, NJ 07647 Tel. (201) 784-1000 Fax (201) 784-0111	Drawing Title: GTM91120-3024-T2, Medical/ICT/ITE/Household use Power Supply, Efficiency Level: V, Case Color/Style: GlobTek Black, Wall Plug-in+Desktop Combination, Regulated Switchmode AC-DC Power Supply AC Adaptor, Input Rating: 100-240V~, 50-60 Hz, IEC 60320/C8 w/ Wall Blades Option , Output Rating: 30W, 24.0V@1.25A, Output Configuration: 1830 mm, 18/1C + Shield Cond, UL 1185, Female Barrel 5.5*2.1*11mm No internal Spring Clip nor Locking Notch or Equal, Ferrite: Core Size: 14.2*28.5*8.2, GlobTek Black, GT Cord # C0827, Pin Out: Center Positive (+V), symbol compliant with IEC 60417 symbol no. 5926, Blades/Input Cord: R-Series Desktop Insert, Approvals: S-Mark IEC/EN 60601-1; SIQ 61558; EAC; UKCA; Conforms to 62368-1; cUL 60950; LPS 60950; CB EN/IEC 60335-1; RoHS; Level V; CE; China RoHS; LPS 62368; PSE; WEEE; Double Insulation; VCCI; Ukraine; FCC; SIQ; Book 60601; Fuse 60335; CB 60601-1; CB 60950; IEC 60335; IEC/EN60601-1; IEC/EN60950-1; CCC; cRUus; CE; RCM; S-Mark 60950; CE; ETL; CB 60335; PSE; PSE; PSE; PSE; S-Mark 62368; 61558-1; IEC 61558-1; Fuse 60335; IP40; IP52; Ta:40°C;	
	Model No. GTM91120-3024-T2	
	Part No./Ordering No. RR9KI1250CCPCIMRVB	Rev C

LABEL:L-1186

LABEL P/N	Standard GT
MATERIAL	Flat Thermal Transfer, Imprintable, Polyester Label and/or Pad Printed and/or Molded, and/or Laser Engraved in the case
BACKGROUND COLOR	Black if housing is Black, White or Silver if housing is White or Gray.
TEXT COLOR	White or Silver if label is Black Background for Black housing. Black if label is White or Silver background and Housing is White or Gray.
LABEL WIDTH (mm)	37.5
LABEL HEIGHT (mm)	33.5
SPECIAL BARCODE LABEL MATERIAL	No

Below is the minimum information which will appear on the label. NOTE: in the logo area additional/actual positioning of symbols and text is subjected to change as per agency updates/requirements or additional model approvals become available.
 Regulatory certifications/label markings may be in logo area on the label or molded into the case housing outside the label area.
 Information will be shown via label and/or pad printed and/or molded and/or laser engraved in the case. * Date code markings at GlobTek option



- A=Medical/ICT/ITE/Household use Power Supply
- B=P/N: (料号) RR9KI1250CCPCIMRVB
- C=Model (型号) GTM91120-3024-T2
- D=Input (输入)100-240V~, 50-60 Hz, 1.5A
- E=Output (输出)24.0 V 1.25 A, 30.00W

GlobTek, Inc. www.globtek.com 186 Veterans Drive, Northvale, NJ 07647 Tel. (201) 784-1000 Fax (201) 784-0111	Drawing Title: GTM91120-3024-T2, Medical/ICT/ITE/Household use Power Supply, Efficiency Level: V, Case Color/Style: GlobTek Black, Wall Plug-in+Desktop Combination, Regulated Switchmode AC-DC Power Supply AC Adaptor, Input Rating: 100-240V~, 50-60 Hz, IEC 60320/C8 w/ Wall Blades Option , Output Rating: 30W, 24.0V@1.25A, Output Configuration: 1830 mm, 18/1C + Shield Cond, UL 1185, Female Barrel 5.5*2.1*11mm No internal Spring Clip nor Locking Notch or Equal, Ferrite: Core Size: 14.2*28.5*8.2, GlobTek Black, GT Cord # C0827, Pin Out: Center Positive (+V), symbol compliant with IEC 60417 symbol no. 5926, Blades/Input Cord: R-Series Desktop Insert, Approvals: S-Mark IEC/EN 60601-1; SIQ 61558; EAC; UKCA; Conforms to 62368-1; cUL 60950; LPS 60950; CB EN/IEC 60335-1; RoHS; Level V; CE; China RoHS; LPS 62368; PSE; WEEE; Double Insulation; VCCI; Ukraine; FCC; SIQ; Book 60601; Fuse 60335; CB 60601-1; CB 60950; IEC 60335; IEC/EN60601-1; IEC/EN60950-1; CCC; cRUus; CE; RCM; S-Mark 60950; CE; ETL; CB 60335; PSE; PSE; PSE; PSE; S-Mark 62368; 61558-1; IEC 61558-1; Fuse 60335; IP40; IP52; Ta:40°C;	
	Model No. GTM91120-3024-T2	
	Part No./Ordering No. RR9KI1250CCPCIMRVB	Rev C

AGENCY ONLINE DOCUMENTS	http://www.globtek.info/certs/GTM91120-T2%20-T3A%20-FW/
CE EC-Declaration for Medical	http://globtek.force.com/models/ec_declaration_product?id=01ta0000004yyxl&m=1
CE EC-Declaration for Industrial/Commercial/ITE	http://globtek.force.com/models/ec_declaration_product?id=01ta0000004yyxl&i=3
CE EC-Declaration for Household	http://globtek.force.com/models/ec_declaration_product?id=01ta0000004yyxl&h=3
UKCA-Declaration for Medical	http://globtek.force.com/models/ukca_declaration_product?id=01ta0000004yyxl&m=1
UKCA-Declaration for Industrial/Commercial/ITE	http://globtek.force.com/models/ukca_declaration_product?id=01ta0000004yyxl&i=3
UKCA-Declaration for Household	http://globtek.force.com/models/ukca_declaration_product?id=01ta0000004yyxl&h=3
Morocco SDoC Declaration	https://globtek.secure.force.com/models/Morocco_SDoC_Declaration?id=a0Oa000000C2VkdEAF
RoHS/RoHS3 Declaration	https://www.globtek.com/pdf/rohs_cert/01ta0000004yyxlAAQ
REACH Declaration	https://www.globtek.com/pdf/iso_certificates/REACH.pdf
Conflict Minerals Declaration	https://www.globtek.com/pdf/conflict-minerals.pdf
Prop 65 Statement	https://en.globtek.com/prop-65-statement.pdf

IPXY rating is based on 3rd party testing and customers should check suitability and test system level IPXY rating before ordering.

Regulatory Certifications/Label Markings

Below follows a link to the latest regulatory certifications and marks for this specific product. National standards as well as certification schemes are constantly changing and so is the set of certification marks and symbols applicable to this product. Various standards, marks and symbols, and certificates are subject to change at any time without notice.

Additional standards or unique country certifications are available upon request. Please contact Globtek to request a quotation.

LATEST PRODUCT/MODEL CERTIFICATIONS: <https://www.globtek.com/datasheet/w70757>

AGENCY ONLINE DOCUMENTS <http://www.globtek.info/certs/GTM91120-T2%20-T3A%20-FW/>



(F1) Class II / Double Insulated



Center Positive (+V), symbol compliant with IEC 60417 symbol no. 5926

GlobTek, Inc. www.globtek.com 186 Veterans Drive, Northvale, NJ 07647 Tel. (201) 784-1000 Fax (201) 784-0111	Drawing Title: GTM91120-3024-T2, Medical/ICT/ITE/Household use Power Supply, Efficiency Level: V, Case Color/Style: GlobTek Black, Wall Plug-in+Desktop Combination, Regulated Switchmode AC-DC Power Supply AC Adaptor, Input Rating: 100-240V~, 50-60 Hz, IEC 60320/C8 w/ Wall Blades Option , Output Rating: 30W, 24.0V@1.25A, Output Configuration: 1830 mm, 18/1C + Shield Cond, UL 1185, Female Barrel 5.5*2.1*11mm No internal Spring Clip nor Locking Notch or Equal, Ferrite: Core Size: 14.2*28.5*8.2, GlobTek Black, GT Cord # C0827, Pin Out: Center Positive (+V), symbol compliant with IEC 60417 symbol no. 5926, Blades/Input Cord: R-Series Desktop Insert, Approvals: S-Mark IEC/EN 60601-1; SIQ 61558; EAC; UKCA; Conforms to 62368-1; cUL 60950; LPS 60950; CB EN/IEC 60335-1; RoHS; Level V; CE; China RoHS; LPS 62368; PSE; WEEE; Double Insulation; VCCI; Ukraine; FCC; SIQ; Book 60601; Fuse 60335; CB 60601-1; CB 60950; IEC 60335; IEC/EN60601-1; IEC/EN60950-1; CCC; cRUus; CE; RCM; S-Mark 60950; CE; ETL; CB 60335; PSE; PSE; PSE; S-Mark 62368; 61558-1; IEC 61558-1; Fuse 60335; IP40; IP52; Ta:40°C;	
	Model No. GTM91120-3024-T2	
	Part No./Ordering No. RR9KI1250CCPCIMRVB	Rev C

PACKAGING

Packing Spec P/N	Desktop/WPI with Desktop Insert T3
Box Qty	60
Gift Box Size (mm)	142*62*60 mm
Gift Box Color	White
Master Carton Size (mm)	442 x 330 x 275
Master Carton Cubic Volume (m³)	0.04
Master GW (Kg)	15.2 kg
BLADES INCLUDED	R-DI: R-Series Desktop Insert
BLADE/CORD INSTALLED	R-DI: R-Series Desktop Insert
USER MANUAL*	
USER MANUAL WEB LINK	

* This specification sheet is considered the user manual for all applications. It is expected that the buyer of this product will use it to formulate their own user manual for their end product and a user manual specifically for the power adapter is not usually required. If a user manual is not specifically listed above then none will be provided with this unit.

GlobTek, Inc.
 www.globtek.com
 186 Veterans Drive,
 Northvale, NJ 07647
 Tel. (201) 784-1000
 Fax (201) 784-0111

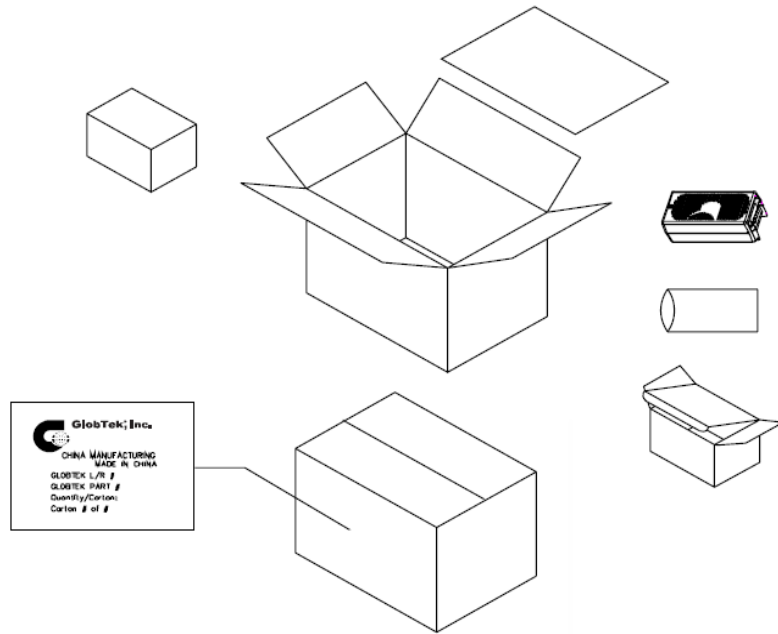
Drawing Title: GTM91120-3024-T2, Medical/ICT/ITE/Household use Power Supply, Efficiency Level: V, Case Color/Style: GlobTek Black, Wall Plug-in+Desktop Combination, Regulated Switchmode AC-DC Power Supply AC Adaptor, Input Rating: 100-240V~, 50-60 Hz, IEC 60320/C8 w/ Wall Blades Option , Output Rating: 30W, 24.0V@1.25A, Output Configuration: 1830 mm, 18/1C + Shield Cond, UL 1185, Female Barrel 5.5*2.1*11mm No internal Spring Clip nor Locking Notch or Equal, Ferrite: Core Size: 14.2*28.5*8.2, GlobTek Black, GT Cord # C0827, Pin Out: Center Positive (+V), symbol compliant with IEC 60417 symbol no. 5926, Blades/Input Cord: R-Series Desktop Insert, Approvals: S-Mark IEC/EN 60601-1; SIQ 61558; EAC; UKCA; Conforms to 62368-1; cUL 60950; LPS 60950; CB EN/IEC 60335-1; RoHS; Level V; CE; China RoHS; LPS 62368; PSE; WEEE; Double Insulation; VCCI; Ukraine; FCC; SIQ; Book 60601; Fuse 60335; CB 60601-1; CB 60950; IEC 60335; IEC/EN60601-1; IEC/EN60950-1; CCC; cRUus; CE; RCM; S-Mark 60950; CE; ETL; CB 60335; PSE; PSE; PSE; PSE; S-Mark 62368; 61558-1; IEC 61558-1; Fuse 60335; IP40; IP52; Ta:40°C;

Model No. GTM91120-3024-T2

Part No./Ordering No. RR9KI1250CCPCIMRVB

Rev C

PACKAGE CONTENTS	INCLUDED	INSTALLED
R-NA-3(R)	N	N
R-SAA-3(R)	N	N
R-UK-3(R)	N	N
R-EU-3(R)	N	N
DESKTOP INSERT	Y	Y



GlobTek, Inc. www.globtek.com 186 Veterans Drive, Northvale, NJ 07647 Tel. (201) 784-1000 Fax (201) 784-0111	Drawing Title: GTM91120-3024-T2, Medical/ICT/ITE/Household use Power Supply, Efficiency Level: V, Case Color/Style: GlobTek Black, Wall Plug-in+Desktop Combination, Regulated Switchmode AC-DC Power Supply AC Adaptor, Input Rating: 100-240V~, 50-60 Hz, IEC 60320/C8 w/ Wall Blades Option , Output Rating: 30W, 24.0V@1.25A, Output Configuration: 1830 mm, 18/1C + Shield Cond, UL 1185, Female Barrel 5.5*2.1*11mm No internal Spring Clip nor Locking Notch or Equal, Ferrite: Core Size: 14.2*28.5*8.2, GlobTek Black, GT Cord # C0827, Pin Out: Center Positive (+V), symbol compliant with IEC 60417 symbol no. 5926, Blades/Input Cord: R-Series Desktop Insert, Approvals: S-Mark IEC/EN 60601-1; SIQ 61558; EAC; UKCA; Conforms to 62368-1; cUL 60950; LPS 60950; CB EN/IEC 60335-1; RoHS; Level V; CE; China RoHS; LPS 62368; PSE; WEEE; Double Insulation; VCCI; Ukraine; FCC; SIQ; Book 60601; Fuse 60335; CB 60601-1; CB 60950; IEC 60335; IEC/EN60601-1; IEC/EN60950-1; CCC; cRUus; CE; RCM; S-Mark 60950; CE; ETL; CB 60335; PSE; PSE; PSE; PSE; S-Mark 62368; 61558-1; IEC 61558-1; Fuse 60335; IP40; IP52; Ta:40°C;	
	Model No. GTM91120-3024-T2	
	Part No./Ordering No. RR9KI1250CCPCIMRVB	Rev C

INSTRUCTIONS TO THE OEM SYSTEMS ENGINEER

It is the responsibility of the OEM systems engineer to provide the end system user instructions and warnings for the use of this product in the end system.

If an input cord is required for this product, AC Mains voltage should be provided to the power supply by a power supply cord approved to the national standards of the country in which it will be used.

This product is not designed to be repaired. No serviceable parts inside. A blown internal fuse is an indication of catastrophic failure of circuit component(s). If a Failure Analysis is required for a failed power supply/battery charger, please return the damaged unit to GlobTek for an accurate determination of the root cause of the failure.

EMC Compliance of the complete OEM product, including the GlobTek power supply/battery charger needs to be verified by the OEM systems engineer.

INSTRUCTION SHEET

N/A

<p>GlobTek, Inc. www.globtek.com 186 Veterans Drive, Northvale, NJ 07647 Tel. (201) 784-1000 Fax (201) 784-0111</p>	<p>Drawing Title: GTM91120-3024-T2, Medical/ICT/ITE/Household use Power Supply, Efficiency Level: V, Case Color/Style: GlobTek Black, Wall Plug-in+Desktop Combination, Regulated Switchmode AC-DC Power Supply AC Adaptor, Input Rating: 100-240V~, 50-60 Hz, IEC 60320/C8 w/ Wall Blades Option , Output Rating: 30W, 24.0V@1.25A, Output Configuration: 1830 mm, 18/1C + Shield Cond, UL 1185, Female Barrel 5.5*2.1*11mm No internal Spring Clip nor Locking Notch or Equal, Ferrite: Core Size: 14.2*28.5*8.2, GlobTek Black, GT Cord # C0827, Pin Out: Center Positive (+V), symbol compliant with IEC 60417 symbol no. 5926, Blades/Input Cord: R-Series Desktop Insert, Approvals: S-Mark IEC/EN 60601-1; SIQ 61558; EAC; UKCA; Conforms to 62368-1; cUL 60950; LPS 60950; CB EN/IEC 60335-1; RoHS; Level V; CE; China RoHS; LPS 62368; PSE; WEEE; Double Insulation; VCCI; Ukraine; FCC; SIQ; Book 60601; Fuse 60335; CB 60601-1; CB 60950; IEC 60335; IEC/EN60601-1; IEC/EN60950-1; CCC; cRUus; CE; RCM; S-Mark 60950; CE; ETL; CB 60335; PSE; PSE; PSE; S-Mark 62368; 61558-1; IEC 61558-1; Fuse 60335; IP40; IP52; Ta:40°C;</p>	
	<p>Model No. GTM91120-3024-T2</p>	
	<p>Part No./Ordering No. RR9KI1250CCPCIMRVB</p>	<p>Rev C</p>

