

GlobTek, Inc. www.globtek.com 186 Veterans Drive, Northvale, NJ 07647 Tel. (201) 784-1000 Fax (201) 784-0111	Drawing Title: L - Lithium Ion (7.3V), 2600 mAh, C - Cylindrical, 18 650 cell, 2S1P, F - fuel gauge, Q - 6 contacts Molex, Q - 6 contacts Molex LR1865SK (2INR19/66)	
	Model No. BL2600C186502S1PFQU	
	Part No./Ordering No. BL2600C186502S1PFQU	Rev D5

In Addition to GlobTek Inc.'s renewed ISO9001:2015 - Quality Management System Certification, GlobTek Inc. is now certified to:

ISO13485:2016 - Medical Devices Quality Management System Certification
ISO14001:2015 - Environmental Management System Certification

ISO Certificates are available online at <https://www.globtek.com/iso-certificates/>

By customer signing or accepting this document, they agree to acknowledge, constantly monitor, and accept the Guidelines and cautions, Safety Notes, and Safety Precautions published on GlobTek's website <https://www.globtek.com/safety-cautions/>

GlobTek offers a 5-year warranty on workmanship and electrical components assembly on all new battery pack products excluding the battery cells themselves which are covered by the Manufacturer's original warranty at their published warranty period. Please refer to the manufacturer's manufacturer's warranty policy for cells. For GlobTek brand cells, GlobTek provides a 12-month warranty for Li-Ion batteries. The warranty period is based upon the expectation that the battery will deliver 80% of its initial capacity after 300 cycles at low to moderate power loads. High power loads may cause a battery to reach 80% of initial capacity in less than the 12-month warranty period. Li-Ion batteries will continue to operate below the 80% capacity threshold; however, the capacity (run time) delivered between charges will continue to decrease.

The purchaser of GlobTek battery pack products (Customer) agrees that they are a "Sophisticated user" who understands battery technology and that it is their sole responsibility to determine suitability of the product described for their application and to take precautions for protection against any hazards attendant to the handling and use of the product. GlobTek products are only designed for professional use and integration by companies into their products and may not be used by consumers directly. GlobTek provides batteries and battery packs as a component of an end system.

The acceptance of GlobTek specifications, the information on this page and use of the product(s) described in this or other GlobTek documents indicate that the product was qualified for use (tested and/or sample waiver signed), and the acceptance and binding of the customer to GlobTek TERMS AND CONDITIONS (attached to the end of this document), which supersede all other agreements, terms and conditions <https://www.globtek.com/terms-and-conditions/>

Lithium Ion batteries are inherently dangerous. Continuous usage or charging without allowing the battery to discharge is a hazard.

FIRE HAZARD: This like all Li-Ion battery packs must be regularly discharged and charged. it is not recommended to be kept on permanent full charge and in a full state of charge.

Footnote:

GlobTek Inc. will not be liable for the safety and performance of these power supplies/battery packs if unauthorized access and repair occurs. End user should consult applicable UL, CSA or EN standards for proper installation instruction.

Limitation of Use:

GlobTek products are intended for use with commercial, medical, and/or industrial equipment only. GlobTek product are not authorized for use as mission critical components in life support hazardous environment, nuclear or aircraft applications without prior written approval from the CEO of GlobTek Inc. Contents of this document are subject to change without prior notice.

Customer Approval of Specification:

Please approve, sign and send back to GlobTek so we can complete order processing.
A delay in receipt of this form will delay delivery schedule.

Company Name:	Customer P/N:
Quote Number:	Date:
Authorized Representative Name:	Authorized Representative Signature:

GloTek, Inc. www.globtek.com 186 Veterans Drive, Northvale, NJ 07647 Tel. (201) 784-1000 Fax (201) 784-0111	Drawing Title: L - Lithium Ion (7.3V), 2600 mAh, C - Cylindrical, 18 650 cell, 2S1P, F - fuel gauge, Q - 6 contacts Molex, Q - 6 contacts Molex LR1865SK (2INR19/66)	
	Model No. BL2600C186502S1PFQU	Part No./Ordering No. BL2600C186502S1PFQU
		Rev D5

REVISION HISTORY

REV	DESCRIPTION	SUB	DATE	APPROVED
D5	Update product description from 2ICR19/65 to 2INR19/66	QA	02/21/2023	QA
D4	Update product description from 2ICR19/70 to 2ICR19/65	QA	02/06/2023	QA
D3	Correct Protection module (PCM) and Fuel Gauge IC from BO40Z50 to BQ40Z50	QA	09/02/2022	QA
D2	Correct typo error PCM from BO40Z50 to BQ40Z50	QA	08/29/2022	QA
D1	Update outline and packing drawing: Qty to 12 pcs, carton dimensions to 203.2*203.2*177.8mm, gift box to 90.5*83*58 mm	QA	08/04/2022	QA
D	Update to SF format	QA	05/06/2022	QA
C	Update outline and label drawing	QA	03/10/2022	QA
B	UPDATE ELECTRICAL SPECIFICATION,LABEL AND OUTLINE DRAWING	jwam	09/23/2021	QA
A	Initial release	DR	01/21/2021	DAVID

BATTERY PACK INFORMATION

TYPE	Battery Cylindrical Can
TECHNOLOGY	Battery Li-On
PACK ID	
INCLUDES PROTECTION MODULE	
PROTECTION MODULE (PCM):	
FUEL GAUGE IC	BQ40Z50
FUEL GAUGE COMMUNICATION INTERFACE	I2C
CELL SIZE	
CELL CONFIGURATION	
PACK NOMINAL VOLTAGE (V)	7.30
PACK RATED CAPACITY (mAh)	2600.00
WATT-HOUR RATING (Wh)	18.98
MAXIMUM CONTINUOUS CURRENT (A)	
TOTAL PACK IMPEDANCE	≤mΩ
INTERNAL IMPEDANCE (per cell)	≤75.0mΩ
PACK WEIGHT (g)	99.00
INGRESS PROTECTION:	IPx0
LABEL SPECS	Label BL2600C186502S1PFQU,L-1660
SPECIAL BARCODE LABEL MATERIAL	No
USER MANUAL	
PACK SPEC	packing for battery BL2600C186502S1PFQU

PROPRIETARY INFORMATION

GlobTek, Inc.
 www.globtek.com
 186 Veterans Drive,
 Northvale, NJ 07647
 Tel. (201) 784-1000
 Fax (201) 784-0111

Drawing Title: L - Lithium Ion (7.3V), 2600 mAh, C - Cylindrical, 18 650 cell, 2S1P, F - fuel gauge, Q - 6 contacts Molex, Q - 6 contacts Molex LR1865SK (2INR19/66)

Model No. BL2600C186502S1PFQU

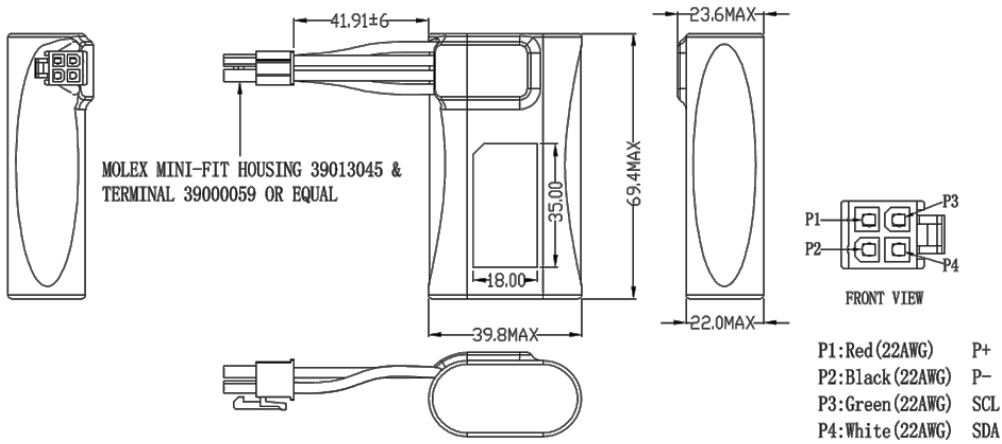
Part No./Ordering No. BL2600C186502S1PFQU

Rev D5

Notes/Modifications/Customizations (notes in this section supersede the values shown in the standard spec)

DIMENSIONS ARE IN MM UNLESS SPECIFIED OTHERWISE

Mechanical configuration for this item as below.



GlobTek, Inc. www.globtek.com 186 Veterans Drive, Northvale, NJ 07647 Tel. (201) 784-1000 Fax (201) 784-0111	Drawing Title: L - Lithium Ion (7.3V), 2600 mAh, C - Cylindrical, 18 650 cell, 2S1P, F - fuel gauge, Q - 6 contacts Molex, Q - 6 contacts Molex LR1865SK (2INR19/66)	
	Model No. BL2600C186502S1PFQU	
Part No./Ordering No. BL2600C186502S1PFQU		Rev D5

ELECTRICAL SPECIFICATIONS

GENERAL SPECIFICATION:

BATTERY WITH SAFETY CIRCUIT AND PLASTIC HOUSING

CELL: LR1865SK

PCM: BQ40Z50

NTC: N/A

ID: N/A

CONFIGURATIONS

WEIGHT: APROX 100 g

2.ELECTRICAL SPECIFICATION FOR PACK:

RATED CAPACITY: 2600 mAh

NOMINAL VOLTAGE: 7.3V

WATT-HOUR RATING: 18.98Wh

CHARGING METHOD: CONSTANT CURRENT + CONSTANT VOLTAGE

MAX. CHARGE VOLTAGE: 8.4V Max recommended for maximizing life and health of battery cells and preventing premature failure)

CHARGE CURRENT: 0.5C recommended, 0.5C Maximum. For a deeply discharged cell with a voltage of 3.0V or less, a pre-charge current e

RECOMMENDED CHARGE CUTOFF: Falls to 10% of bulk charge or by secondary charge termination such as a Timer as specified by custo

MAX. CONTINUOUS DISCHARGE CURRENT: 1.5C

RECOMMENDED DISCHARGE CUTOFF: recommends a customer system level permanent fail protection if the cell voltage drops to 2.50V

INTERNAL IMPEDANCE: 45mΩ

EXP. CYCLE LIFE: >300 CYCLES > 80% OF INITIAL CAP

CELL PROTECTION:

OVERCHARGE DETECTION: 4.25 ±0.02V/Cell

(2 sec. DELAY, RESUME 4.10 ± 0.02V/cell)

UNDERCHARGE DETECTION: 2.80 ±0.05V

(130 to 160msec. DELAY, RESUME 3.0±0.05V)

CURRENT DETECTION: 6A (5 sec. DELAY) SHORT CURRENT DETECTION: 500us DELAY

3. AMBIENT CONDITIONS

TEMPERATURE RANGE:

CHARGE: 0 TO +45°C

DISCHARGE: -20 TO +60°C

CHARGE RETENTION AT 20°C: >80%

3 MONTHS AT -20 TO +40°C >80%

1 MONTH AT -20 To +60°C >80%

HUMIDITY: 60 ±25%RH

4.ENVIRONMENTAL AND SAFETY

Please review quarterly and follow [HANDLING AND SAFETY PRECAUTIONS FOR Lilon & LiPolymer.](#)

PROPRIETARY INFORMATION

PROPRIETARY OF GLOBTEK, INC. ANY REPRODUCTION, DISCLOSURE OR USE OF THIS DRAWING, IN WHOLE OR IN PART, IS HEREBY PROHIBITED EXCEPT AS SPECIFIED IN

WRITING BY GLOBTEK, INC. © GlobTek, Inc. 2021 - 2023

quest / 06/08/2023 12:49:46 AM GMT CLONED FROM BL3500C186502S1PFQG

GloBtek, Inc. www.globtek.com 186 Veterans Drive, Northvale, NJ 07647 Tel. (201) 784-1000 Fax (201) 784-0111	Drawing Title: L - Lithium Ion (7.3V), 2600 mAh, C - Cylindrical, 18 650 cell, 2S1P, F - fuel gauge, Q - 6 contacts Molex, Q - 6 contacts Molex LR1865SK (2INR19/66)	
	Model No. BL2600C186502S1PFQU	
	Part No./Ordering No. BL2600C186502S1PFQU	Rev D5

5. CELL REGULATORY APPROVALS:

UL: UL1642

IEC 61960 Cell design 2HR19/66 marking:

TO ADDRESS SYSTEM-LEVEL EMI CONCERNS, FERRITE CHOKES/BEADS MAY BE ADDED/REVISED UPON REQUEST. A SAMPLE KIT OF GLOBTEK'S STANDARD FERRITES IS AVAILABLE UNDER GLOBTEK P/N: EMI-MITIGATION-KIT1

FOR ADDITIONAL INFORMATION, PLEASE READ OUR WHITE PAPER AT: <https://r.globtek.info/3QeaqtD>

INGRESS PROTECTION: IPx0

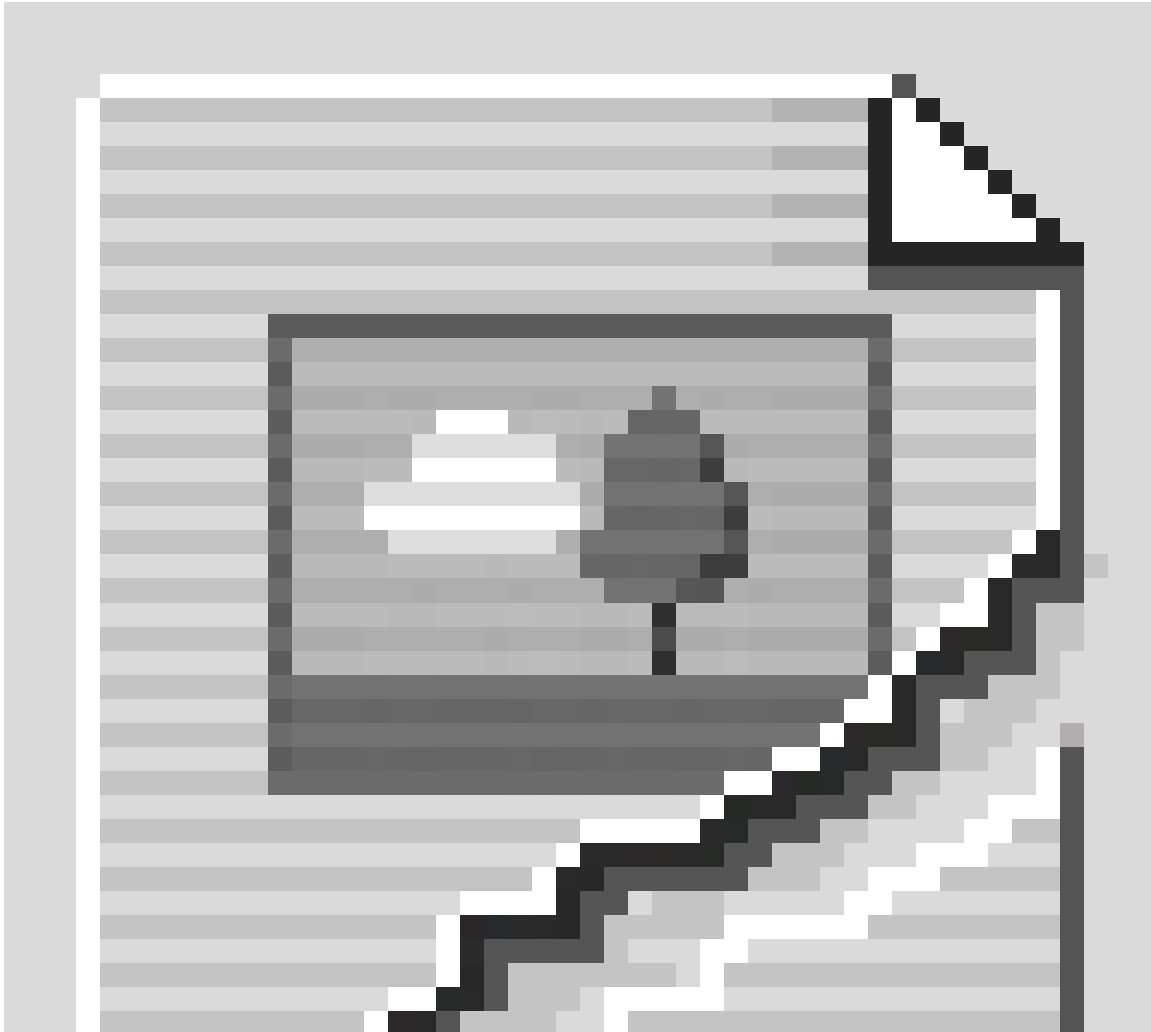
GlobTek, Inc. www.globtek.com 186 Veterans Drive, Northvale, NJ 07647 Tel. (201) 784-1000 Fax (201) 784-0111	Drawing Title: L - Lithium Ion (7.3V), 2600 mAh, C - Cylindrical, 18 650 cell, 2S1P, F - fuel gauge, Q - 6 contacts Molex, Q - 6 contacts Molex LR1865SK (2INR19/66)	
	Model No. BL2600C186502S1PFQU	Part No./Ordering No. BL2600C186502S1PFQU
		Rev D5

OUTPUT CORD AND CONNECTOR: MOL4 MINI-FIT/C66048

ACTUAL CONNECTORS, OVERMOLDS, FERRITES MAY VARY SLIGHTLY FROM THE PICTURE BELOW

CABLE TYPE	UL 1007
CABLE LENGTH (mm)	41.91
CABLE TOLERANCE (mm)	± 6
WIRE GAUGE (AWG)	22
CONDUCTORS	4
HANK DIMENSION (mm)	
CABLE / CONNECTOR OVERMOLD COLOR	
PLUG TYPE	Molex Mini-Fit Housing 39013045 & Terminal #39000059 or equal
OUTPUT CONNECTOR GENDER	not applicable

STANDARD CONNECTOR HOUSINGS



PROPRIETARY INFORMATION

GlobTek, Inc.
 www.globtek.com
 186 Veterans Drive,
 Northvale, NJ 07647
 Tel. (201) 784-1000
 Fax (201) 784-0111

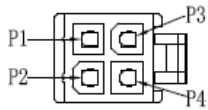
Drawing Title: L - Lithium Ion (7.3V), 2600 mAh, C - Cylindrical, 18 650 cell, 2S1P, F - fuel gauge, Q - 6 contacts Molex, Q - 6 contacts Molex LR1865SK (2INR19/66)

Model No. BL2600C186502S1PFQU

Part No./Ordering No. BL2600C186502S1PFQU

Rev D5

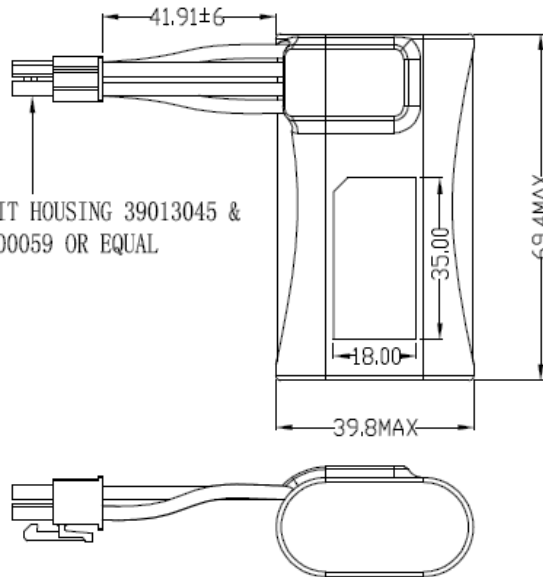
OVERMOLDED Yes
 OVER MOLD ORIENTATION Mechanically Attached Connector



FRONT VIEW

P1:Red (22AWG) P+
 P2:Black (22AWG) P-
 P3:Green (22AWG) SCL
 P4:White (22AWG) SDA

MOLEX MINI-FIT HOUSING 39013045 &
 TERMINAL 39000059 OR EQUAL



ADDITIONAL OUTPUT PLUG OPTIONS ARE AVAILABLE AT <https://www.globtek.com/connectors/>
 STANDARD PLUGS AND CONNECTORS CAN BE SEEN ONLINE AT <https://www.globtek.com/connectors/>
 CALCULATE VOLTAGE REGULATION/DROP WITH OUR ONLINE CALCULATOR: <https://en.globtek.com/output-cable-regulation-calculator/>

GlobTek, Inc. www.globtek.com 186 Veterans Drive, Northvale, NJ 07647 Tel. (201) 784-1000 Fax (201) 784-0111	Drawing Title: L - Lithium Ion (7.3V), 2600 mAh, C - Cylindrical, 18 650 cell, 2S1P, F - fuel gauge, Q - 6 contacts Molex, Q - 6 contacts Molex LR1865SK (2INR19/66)	
	Model No. BL2600C186502S1PFQU	
Part No./Ordering No. BL2600C186502S1PFQU		Rev D5

LABEL:L-1660

LABEL P/N	Label BL2600C186502S1PFQU
MATERIAL	Flat Thermal Transfer, Imprintable, Polyester Label and/or Pad Printed and/or Molded, and/or Laser Engraved in the case
BACKGROUND COLOR	Black if housing is Black, White or Silver if housing is White or Gray.
TEXT COLOR	White or Silver if label is Black Background for Black housing. Black if label is White or Silver background and Housing is White or Gray.
SPECIAL BARCODE LABEL MATERIAL	No

Below is the minimum information which will appear on the label. NOTE: in the logo area additional/actual positioning of symbols and text is subjected to change as per agency updates/requirements or additional model approvals become available.
 Regulatory certifications/label markings may be in logo area on the label or molded into the case housing outside the label area.
 Information will be shown via label and/or pad printed and/or molded and/or laser engraved in the case. * Date code markings at GlobTek option



A=
 B=P/N: (料号) BL2600C186502S1PFQU
 C=Model (型号) BL2600C186502S1PFQU
 E=Output (输出)Pack Nominal Voltage 7.30 (V), Pack Rated Capacity 2600.00 (mAh/Hr), Watt-Hour Rating 18.98 (Wh)

GlobTek, Inc. www.globtek.com 186 Veterans Drive, Northvale, NJ 07647 Tel. (201) 784-1000 Fax (201) 784-0111	Drawing Title: L - Lithium Ion (7.3V), 2600 mAh, C - Cylindrical, 18 650 cell, 2S1P, F - fuel gauge, Q - 6 contacts Molex, Q - 6 contacts Molex LR1865SK (2INR19/66)	
	Model No. BL2600C186502S1PFQU	Part No./Ordering No. BL2600C186502S1PFQU
		Rev D5

AGENCY ONLINE DOCUMENTS

CE EC-Declaration for Medical	Contact GlobTek for more information
CE EC-Declaration for Industrial/Commercial/ITE	Contact GlobTek for more information
CE EC-Declaration for Household	Contact GlobTek for more information
UKCA-Declaration for Medical	Contact GlobTek for more information
UKCA-Declaration for Industrial/Commercial/ITE	Contact GlobTek for more information
UKCA-Declaration for Household	Contact GlobTek for more information
Morocco SDoC Declaration	https://globtek.secure.force.com/models/Morocco_SDoC_Declaration?id=a0O3a00000NprjxEAB
RoHS/RoHS3 Declaration	https://www.globtek.com/pdf/rohs_cert/01t3a000005D556AAC
REACH Declaration	https://www.globtek.com/pdf/iso_certificates/REACH.pdf
Conflict Minerals Declaration	https://www.globtek.com/pdf/conflict-minerals.pdf
Prop 65 Statement	https://en.globtek.com/prop-65-statement.pdf

IPXY rating is based on 3rd party testing and customers should check suitability and test system level IPXY rating before ordering.

Regulatory Certifications/Label Markings

Below follows a link to the latest regulatory certifications and marks for this specific product. National standards as well as certification schemes are constantly changing and so is the set of certification marks and symbols applicable to this product. Various standards, marks and symbols, and certificates are subject to change at any time without notice.

Additional standards or unique country certifications are available upon request. Please contact Globtek to request a quotation.

LATEST PRODUCT/MODEL CERTIFICATIONS: <https://www.globtek.com/datasheet/Y93456671>

AGENCY ONLINE DOCUMENTS

PROPRIETARY INFORMATION

PROPRIETARY OF GLOBTEK, INC. ANY REPRODUCTION, DISCLOSURE OR USE OF THIS DRAWING, IN WHOLE OR IN PART, IS HEREBY PROHIBITED EXCEPT AS SPECIFIED IN

WRITING BY GLOBTEK, INC. © GlobTek, Inc. 2021 - 2023

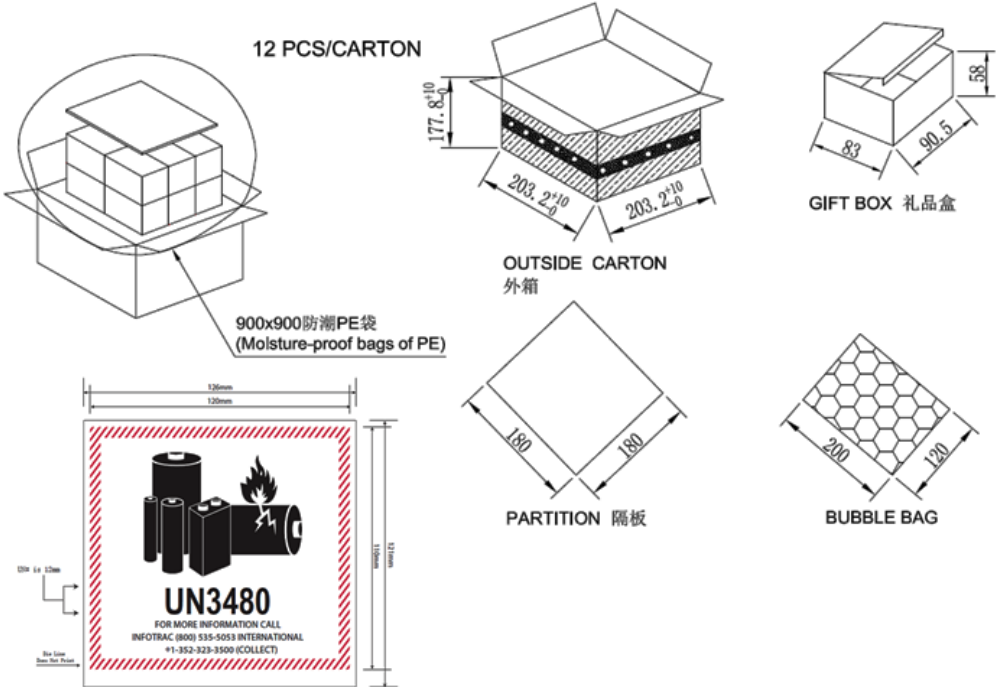
quest / 06/08/2023 12:49:46 AM GMT CLONED FROM BL3500C186502S1PFQG

GlobTek, Inc. www.globtek.com 186 Veterans Drive, Northvale, NJ 07647 Tel. (201) 784-1000 Fax (201) 784-0111	Drawing Title: L - Lithium Ion (7.3V), 2600 mAh, C - Cylindrical, 18 650 cell, 2S1P, F - fuel gauge, Q - 6 contacts Molex, Q - 6 contacts Molex LR1865SK (2INR19/66)	
	Model No. BL2600C186502S1PFQU	
Part No./Ordering No. BL2600C186502S1PFQU		Rev D5

PACKAGING

Packing Spec P/N	packing for battery BL2600C186502S1PFQU
Box Qty	12
Gift Box Size (mm)	90.5*83*58
Gift Box Color	White
Master Carton Size (mm)	203 x 203 x 177
Master Carton Cubic Volume (m³)	0.01
Master GW (Kg)	kg
BLADES INCLUDED	:
BLADE/CORD INSTALLED	:
USER MANUAL*	
USER MANUAL WEB LINK	

* This specification sheet is considered the user manual for all applications. It is expected that the buyer of this product will use it to formulate their own user manual for their end product and a user manual specifically for the power adapter is not usually required. If a user manual is not specifically listed above then none will be provided with this unit.



GlobTek, Inc. www.globtek.com 186 Veterans Drive, Northvale, NJ 07647 Tel. (201) 784-1000 Fax (201) 784-0111	Drawing Title: L - Lithium Ion (7.3V), 2600 mAh, C - Cylindrical, 18 650 cell, 2S1P, F - fuel gauge, Q - 6 contacts Molex, Q - 6 contacts Molex LR1865SK (2INR19/66)	
	Model No. BL2600C186502S1PFQU	
	Part No./Ordering No. BL2600C186502S1PFQU	Rev D5

INSTRUCTIONS TO THE OEM SYSTEMS ENGINEER

It is the responsibility of the OEM systems engineer to provide the end system user instructions and warnings for the use of this product in the end system.

If an input cord is required for this product, AC Mains voltage should be provided to the power supply by a power supply cord approved to the national standards of the country in which it will be used.

This product is not designed to be repaired. No serviceable parts inside. A blown internal fuse is an indication of catastrophic failure of circuit component(s). If a Failure Analysis is required for a failed power supply/battery charger, please return the damaged unit to GlobTek for an accurate determination of the root cause of the failure.

EMC Compliance of the complete OEM product, including the GlobTek power supply/battery charger needs to be verified by the OEM systems engineer.

INSTRUCTION SHEET

<p>GlobTek, Inc. www.globtek.com 186 Veterans Drive, Northvale, NJ 07647 Tel. (201) 784-1000 Fax (201) 784-0111</p>	<p>Drawing Title: L - Lithium Ion (7.3V), 2600 mAh, C - Cylindrical, 18 650 cell, 2S1P, F - fuel gauge, Q - 6 contacts Molex, Q - 6 contacts Molex LR1865SK (2INR19/66)</p>
	<p>Model No. BL2600C186502S1PFQU</p>
	<p>Part No./Ordering No. BL2600C186502S1PFQU</p>
	<p>Rev D5</p>

