

GlobTek, Inc. www.globtek.com 186 Veterans Drive, Northvale, NJ 07647 Tel. (201) 784-1000 Fax (201) 784-0111	Drawing Title: USB-C (USB TYPE-C) USB 3.2 Gen 2 (USB 3.1 Gen 2, Superspeed + (USB 3.1)) Receptacle Connector 6 Position Waterproof IPX7 Surface Mount, Right Angle; Through Hole, 450-01290404(R)	
	Model No. <a href="#">Connector</a>	Part No./Ordering No. <a href="#">JACK-USBC-241SMT-4BV64</a>
		Rev A

In Addition to GlobTek Inc.'s renewed ISO9001:2008 - Quality Management System Certification, GlobTek Inc. is now certified to:

ISO13485:2003 - Medical Devices Quality Management System Certification  
ISO14001:2004 - Environmental Management System Certification

ISO Certificates are available online at <http://www.globtek.com/iso-certificates/>

The acceptance of this specification and use of the product described in this document indicates the acceptance and binding of the customer to Globtek TERMS AND CONDITIONS (attached to the end of this document), which supersede all other agreements, terms, and conditions (<http://en.globtek.com/terms-and-conditions/>).

Prop 65 Statement:<https://en.globtek.com/prop-65-statement.pdf>

Footnote:

GlobTek Inc. will not be liable for the safety and performance of these power supplies if unauthorized access and repair occurs. End user should consult applicable UL, CSA or EN standards for proper installation instruction.

Limitation of Use:

GlobTek products are intended for use with commercial, medical, and/or industrial equipment only. GlobTek product are not authorized for use as mission critical components in life support hazardous environment, nuclear or aircraft applications without prior written approval from the CEO of GlobTek Inc.

Contents of this document are subject to change without prior notice.

**Customer Approval of Specification:**

Please approve, sign and send back to GlobTek so we can complete order processing.  
A delay in receipt of this form will delay delivery schedule.

Company Name: _____	Customer P/N: _____
Quote Number: _____	Date: _____
Authorized Representative Name: _____	Authorized Representative Signature: _____

GlobTek, Inc. www.globtek.com 186 Veterans Drive, Northvale, NJ 07647 Tel. (201) 784-1000 Fax (201) 784-0111	Drawing Title: USB-C (USB TYPE-C) USB 3.2 Gen 2 (USB 3.1 Gen 2, Superspeed + (USB 3.1)) Receptacle Connector 6 Position Waterproof IPX7 Surface Mount, Right Angle; Through Hole, 450-01290404(R)	
	Model No. <a href="#">Connector</a>	Part No./Ordering No. <a href="#">JACK-USBC-241SMT-4BV64</a>
		Rev A

## REVISION HISTORY

REV	DESCRIPTION	SUB	DATE	APPROVED
A	Initial release	QA	08/03/2022	QA

3D CAD FILE:

[https://www.globtek.com/file/dl/jack-usbc-241smt-4bv64\\_asm.stp](https://www.globtek.com/file/dl/jack-usbc-241smt-4bv64_asm.stp)

AGENCY ONLINE DOCUMENTS

RoHS/RoHS3 Declaration [https://www.globtek.com/pdf/rohs\\_cert/01t3a000005hbTGAAAY](https://www.globtek.com/pdf/rohs_cert/01t3a000005hbTGAAAY)

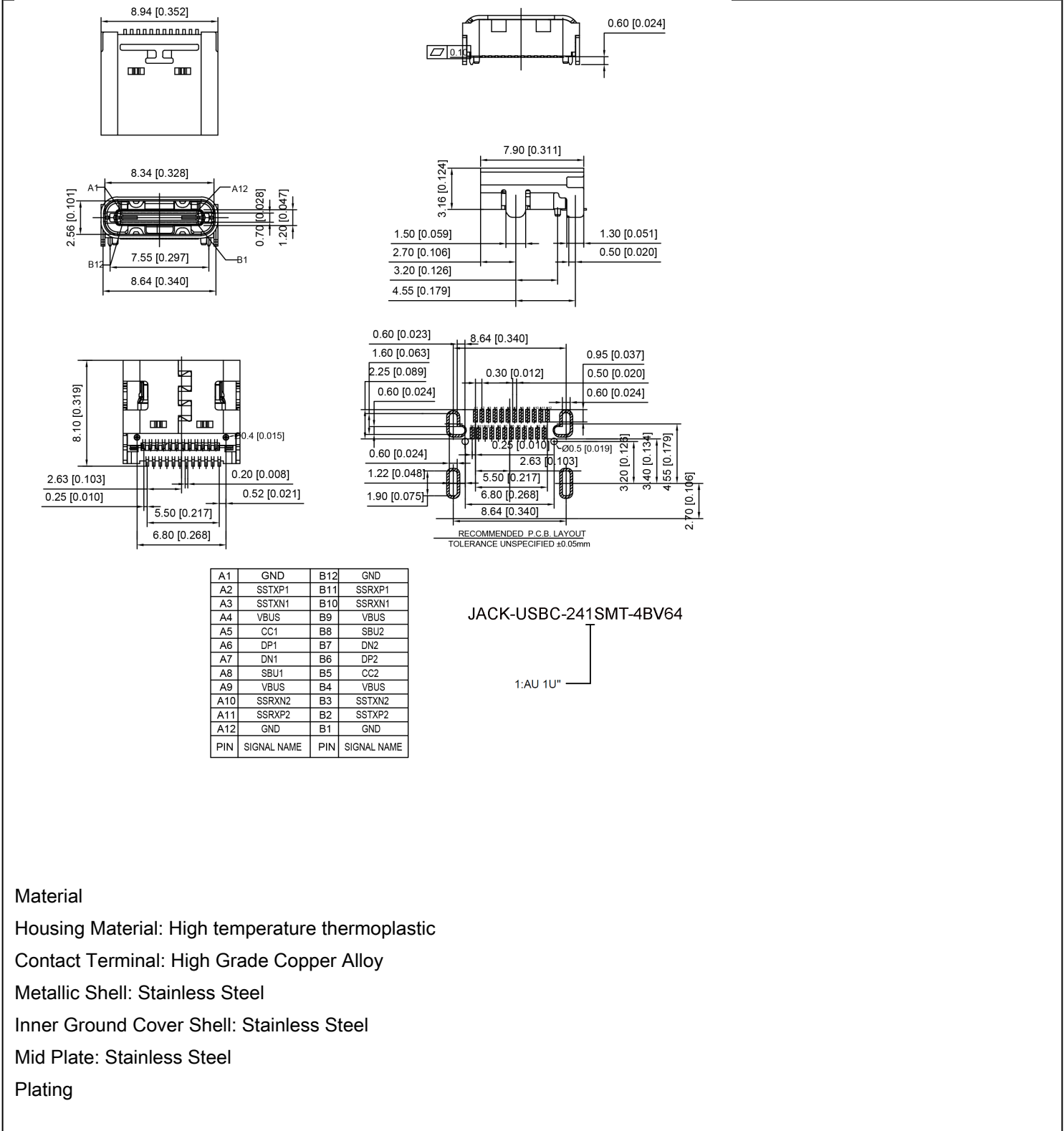
REACH Declaration [https://www.globtek.com/pdf/iso\\_certificates/REACH.pdf](https://www.globtek.com/pdf/iso_certificates/REACH.pdf)

Conflict Minerals Declaration <https://www.globtek.com/pdf/conflict-minerals.pdf>

Prop 65 Statement <https://en.globtek.com/prop-65-statement.pdf>

IPXY rating is based on 3rd party testing and customers should check suitability and test system level IPXY rating before ordering.

GlobTek, Inc. www.globtek.com 186 Veterans Drive, Northvale, NJ 07647 Tel. (201) 784-1000 Fax (201) 784-0111	Drawing Title: USB-C (USB TYPE-C) USB 3.2 Gen 2 (USB 3.1 Gen 2, Superspeed + (USB 3.1)) Receptacle Connector 6 Position Waterproof IPX7 Surface Mount, Right Angle; Through Hole, 450-01290404(R)	Rev A
	Model No. <a href="#">Connector</a>  Part No./Ordering No. <a href="#">JACK-USBC-241SMT-4BV64</a>	



**Material**

- Housing Material: High temperature thermoplastic
- Contact Terminal: High Grade Copper Alloy
- Metallic Shell: Stainless Steel
- Inner Ground Cover Shell: Stainless Steel
- Mid Plate: Stainless Steel
- Plating

GlobTek, Inc. www.globtek.com 186 Veterans Drive, Northvale, NJ 07647 Tel. (201) 784-1000 Fax (201) 784-0111	Drawing Title: USB-C (USB TYPE-C) USB 3.2 Gen 2 (USB 3.1 Gen 2, Superspeed + (USB 3.1)) Receptacle Connector 6 Position Waterproof IPX7 Surface Mount, Right Angle; Through Hole, 450-01290404(R)	
	Model No. <a href="#">Connector</a>	
	Part No./Ordering No. <a href="#">JACK-USBC-241SMT-4BV64</a>	Rev A

#### Data Contact

Underplating: 50μ" Min. Nickel

Contact Plating: 1μ" Gold

Solder Area: 80μ" Matte Tin

#### Shell

Metallic Shell: 50μ" Min. Nickel

#### Cover Shell

Metallic Shell: 80μ" Min. Nickel

#### Inner Ground Cover Shell

Metallic Shell: 50μ" Min. Nickel

#### Electrical

Voltage Rating: 20V DC

Current Rating: Vbus pins collectively 5.00A, GND pins collectively 6.25A,

B5 pin 1.25A, Other pins 0.25A per pin.

Contact Resistance: 40mΩ Max.

Insulation resistance: 100 MΩ MIN.

Dielectric withstanding voltage: 100V AC/Minute

#### Mechanical

Durability: 10,000 cycles

Mating Force: 5 to 20N

Unmating Force: 8 to 20N (post test)

GlobTek, Inc.  
 www.globtek.com  
 186 Veterans Drive,  
 Northvale, NJ 07647  
 Tel. (201) 784-1000  
 Fax (201) 784-0111

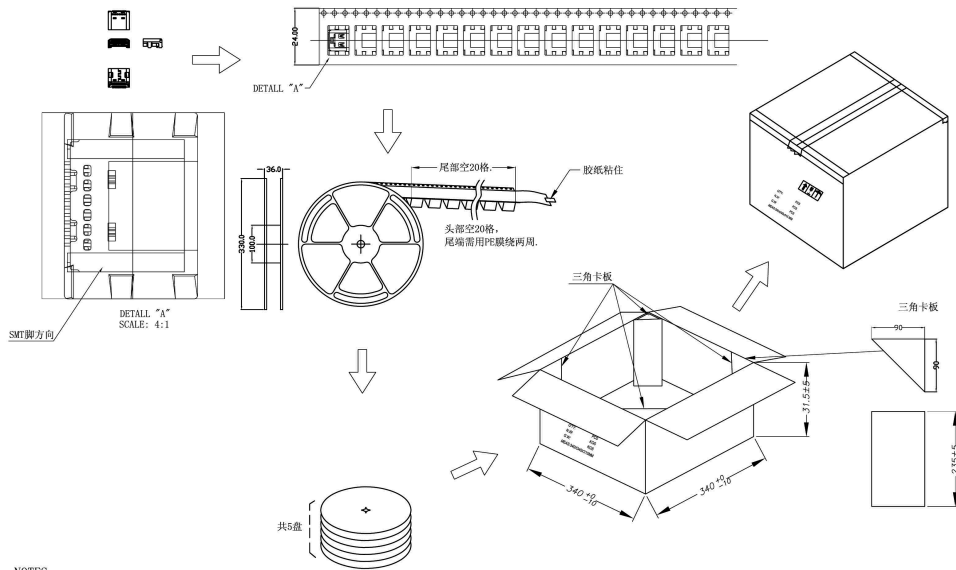
Drawing Title: USB-C (USB TYPE-C) USB 3.2 Gen 2 (USB 3.1 Gen 2, Superspeed + (USB 3.1)) Receptacle Connector 6 Position Waterproof IPX7 Surface Mount, Right Angle; Through Hole, 450-01290404(R)

Model No. [Connector](#)

Part No./Ordering No. [JACK-USBC-241SMT-4BV64](#)

Rev A

Packing:



- NOTES:
1. 每卷装产品1000PCS.
  2. 每箱装产品5X1000=5000PCS.
  3. 纸箱规格为:340MM\*340MM\*240MM

GlobTek, Inc. www.globtek.com 186 Veterans Drive, Northvale, NJ 07647 Tel. (201) 784-1000 Fax (201) 784-0111	Drawing Title: USB-C (USB TYPE-C) USB 3.2 Gen 2 (USB 3.1 Gen 2, Superspeed + (USB 3.1)) Receptacle Connector 6 Position Waterproof IPX7 Surface Mount, Right Angle; Through Hole, 450-01290404(R)	
	Model No. <a href="#">Connector</a>	
	Part No./Ordering No. <a href="#">JACK-USBC-241SMT-4BV64</a>	Rev A

## PACKAGING

Packing Spec P/N: \_\_\_\_\_

Box Qty: 5000

Gift Box Size (mm): \_\_\_\_\_

Gift Box Color: White

Master Carton Size (mm): 340 x 340 x 240

Master Carton Cubic

Volume (m<sup>3</sup>): 0.03

Master GW (Kg): 8.0 kg

wt Ea. (Kg): 0.00 kg

wt Ea. (Kg): 0.00 kg

LABEL SPECS: \_\_\_\_\_ , \_\_\_\_\_

PACK SPEC: \_\_\_\_\_