

|   |   |  |
|---|---|--|
| GlobTek, Inc.<br>www.globtek.com<br>186 Veterans Drive,<br>Northvale, NJ 07647<br>Tel. (201) 784-1000<br>Fax (201) 784-0111 | Drawing Title: USB-C (USB TYPE-C) USB 3.2 Gen 2 (USB 3.1 Gen 2, Superspeed + (USB 3.1)) Receptacle Connector 6 Position Waterproof IPX7 Surface Mount, Right Angle; Through Hole, 450-01290404(R) |  |
|   | Model No. <a href="#">Connector</a>   | Part No./Ordering No. <a href="#">JACK-USBC-241SMTV-4BQC14</a> |
|   |   | Rev A  |

In Addition to GlobTek Inc.'s renewed ISO9001:2008 - Quality Management System Certification, GlobTek Inc. is now certified to:

ISO13485:2003 - Medical Devices Quality Management System Certification  
ISO14001:2004 - Environmental Management System Certification

ISO Certificates are available online at <http://www.globtek.com/iso-certificates/>

The acceptance of this specification and use of the product described in this document indicates the acceptance and binding of the customer to Globtek TERMS AND CONDITIONS (attached to the end of this document), which supersede all other agreements, terms, and conditions (<http://en.globtek.com/terms-and-conditions/>).

Prop 65 Statement:<https://en.globtek.com/prop-65-statement.pdf>

Footnote:

GlobTek Inc. will not be liable for the safety and performance of these power supplies if unauthorized access and repair occurs. End user should consult applicable UL, CSA or EN standards for proper installation instruction.

Limitation of Use:

GlobTek products are intended for use with commercial, medical, and/or industrial equipment only. GlobTek product are not authorized for use as mission critical components in life support hazardous environment, nuclear or aircraft applications without prior written approval from the CEO of GlobTek Inc.

Contents of this document are subject to change without prior notice.

**Customer Approval of Specification:**

Please approve, sign and send back to GlobTek so we can complete order processing.

A delay in receipt of this form will delay delivery schedule.

|                                       |  |
|---------------------------------------|--|
| Company Name: _____                   | Customer P/N: _____                        |
| Quote Number: _____                   | Date: _____                                |
| Authorized Representative Name: _____ | Authorized Representative Signature: _____ |

GlobTek, Inc.  
 www.globtek.com  
 186 Veterans Drive,  
 Northvale, NJ 07647  
 Tel. (201) 784-1000  
 Fax (201) 784-0111

Drawing Title: USB-C (USB TYPE-C) USB 3.2 Gen 2 (USB 3.1 Gen 2, Superspeed + (USB 3.1)) Receptacle Connector 6 Position Waterproof IPX7 Surface Mount, Right Angle; Through Hole, 450-01290404(R)

Model No. [Connector](#)

Part No./Ordering No. [JACK-USBC-241SMTV-4BQC14](#)

Rev A

## REVISION HISTORY

| REV | DESCRIPTION     | SUB | DATE       | APPROVED |
|-----|-----------------|-----|------------|----------|
| A   | Initial release | QA  | 08/08/2022 | QA       |

3D CAD FILE:

[https://www.globtek.com/file/dl/jack-usbc-241smtv-4bqc14\\_asm.stp](https://www.globtek.com/file/dl/jack-usbc-241smtv-4bqc14_asm.stp)

AGENCY ONLINE DOCUMENTS

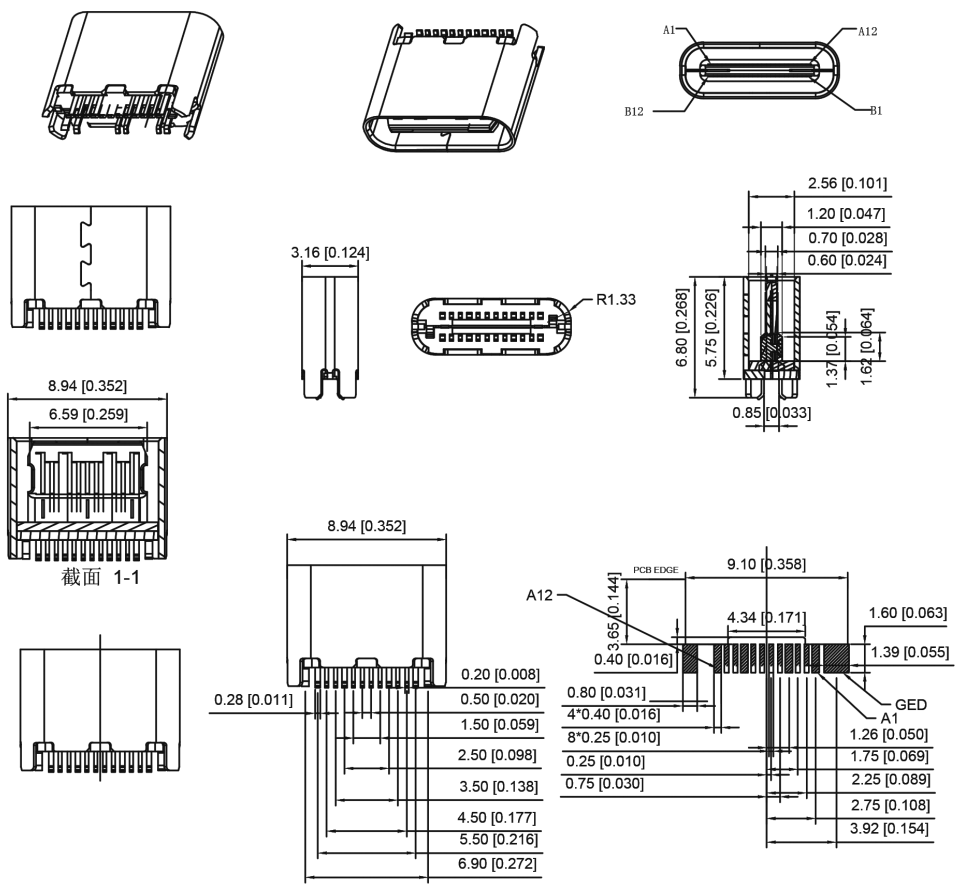
RoHS/RoHS3 Declaration [https://www.globtek.com/pdf/rohs\\_cert/01t3a000005hclOAAQ](https://www.globtek.com/pdf/rohs_cert/01t3a000005hclOAAQ)

REACH Declaration [https://www.globtek.com/pdf/iso\\_certificates/REACH.pdf](https://www.globtek.com/pdf/iso_certificates/REACH.pdf)

Conflict Minerals Declaration <https://www.globtek.com/pdf/conflict-minerals.pdf>

Prop 65 Statement <https://en.globtek.com/prop-65-statement.pdf>

IPXY rating is based on 3rd party testing and customers should check suitability and test system level IPXY rating before ordering.



|   |   |       |
|---|---|-------|
| GlobTek, Inc.<br>www.globtek.com<br>186 Veterans Drive,<br>Northvale, NJ 07647<br>Tel. (201) 784-1000<br>Fax (201) 784-0111 | Drawing Title: USB-C (USB TYPE-C) USB 3.2 Gen 2 (USB 3.1 Gen 2, Superspeed + (USB 3.1)) Receptacle Connector 6 Position Waterproof IPX7 Surface Mount, Right Angle; Through Hole, 450-01290404(R) |       |
|   | Model No. <a href="#">Connector</a>   |       |
| Part No./Ordering No. <a href="#">JACK-USBC-241SMTV-4BQC14</a>  |   | Rev A |

|     |             |     |             |
|-----|-------------|-----|-------------|
| A1  | GND         | B12 | GND         |
| A2  | SSTXP1      | B11 | SSRXP1      |
| A3  | SSTXN1      | B10 | SSRXN1      |
| A4  | VBUS        | B9  | VBUS        |
| A5  | CC1         | B8  | SBU2        |
| A6  | DP1         | B7  | DN2         |
| A7  | DN1         | B6  | DP2         |
| A8  | SBU1        | B5  | CC2         |
| A9  | VBUS        | B4  | VBUS        |
| A10 | SSRXN2      | B3  | SSTXN2      |
| A11 | SSRXP2      | B2  | SSTXP2      |
| A12 | GND         | B1  | GND         |
| PIN | SIGNAL NAME | PIN | SIGNAL NAME |

## JACK-USBC-241SMTV-4BQC14

AU 1U" 

### Material

Housing Material: High temperature thermoplastic

Contact Terminal: High Grade Copper Alloy

Metallic Shell: Stainless Steel

Inner Ground Cover Shell: Stainless Steel

Mid Plate: Stainless Steel

### Plating

Data Contact

Underplating: 50µ" Min. Nickel

Contact Plating: 1µ" Gold

Solder Area: 80µ" Matte Tin

### Shell

Metallic Shell: 50µ" Min. Nickel

Cover Shell

Metallic Shell: 80µ" Min. Nickel

Inner Ground Cover Shell

Metallic Shell: 50µ" Min. Nickel

### Electrical

Voltage Rating: 20V DC

Current Rating: Vbus pins collectively 5.00A, GND pins collectively 6.25A,

B5 pin 1.25A, Other pins 0.25A per pin.

Contact Resistance: 40mΩ Max.

Insulation resistance: 100 MΩ MIN.

Dielectric withstanding voltage: 100V AC/Minute

### Mechanical

Durability: 10,000 cycles

Mating Force: 5 to 20N

### PROPRIETARY INFORMATION

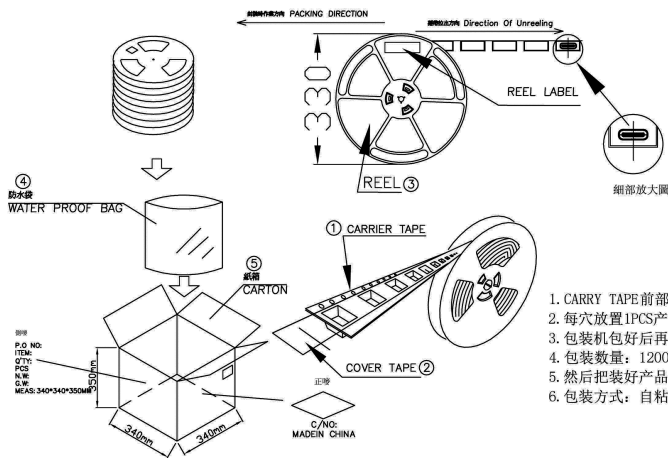
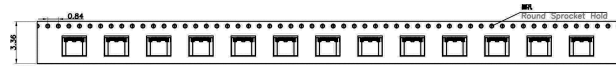
PROPRIETARY OF GLOBTEK, INC. ANY REPRODUCTION, DISCLOSURE OR USE OF THIS DRAWING, IN WHOLE OR IN PART, IS HEREBY PROHIBITED EXCEPT AS SPECIFIED IN WRITING BY GLOBTEK, INC. © GlobTek, Inc. 2022 - 2023

quest /03/26/2023 11:40:07 AM CLONED FROM JACK-USBC-241SMT-4BV64

|   |  |
|---|--|
| <p>GlobTek, Inc.<br/>www.globtek.com<br/>186 Veterans Drive,<br/>Northvale, NJ 07647<br/>Tel. (201) 784-1000<br/>Fax (201) 784-0111</p> | <p>Drawing Title: USB-C (USB TYPE-C) USB 3.2 Gen 2 (USB 3.1 Gen 2, Superspeed + (USB 3.1)) Receptacle Connector 6 Position Waterproof IPX7 Surface Mount, Right Angle; Through Hole, 450-01290404(R)</p> |
|   | <p>Model No. <a href="#">Connector</a></p>   |
|   | <p>Part No./Ordering No. <a href="#">JACK-USBC-241SMTV-4BQC14</a> <span style="float: right;">Rev A</span></p>   |

Unmating Force: 8 to 20N (post test)

Packing:



1. CARRY TAPE前部分与尾部分各留出150~300mm长度不装产品
2. 每穴放置1PCS产品，放置方式如图所示
3. 包装机包好后再缠上一圈电周波，在REEL的四
4. 包装数量：1200PCS/REEL，15REEL/CARTON，共18000PCS/CARTON
5. 然后把装好产品的REEL 放进纸箱中。
6. 包装方式：自粘式

|   |   |       |
|---|---|-------|
| GlobTek, Inc.<br>www.globtek.com<br>186 Veterans Drive,<br>Northvale, NJ 07647<br>Tel. (201) 784-1000<br>Fax (201) 784-0111 | Drawing Title: USB-C (USB TYPE-C) USB 3.2 Gen 2 (USB 3.1 Gen 2, Superspeed + (USB 3.1)) Receptacle Connector 6 Position Waterproof IPX7 Surface Mount, Right Angle; Through Hole, 450-01290404(R) |       |
|   | Model No. <a href="#">Connector</a>   |       |
|   | Part No./Ordering No. <a href="#">JACK-USBC-241SMTV-4BQC14</a>  | Rev A |

**PACKAGING**

Packing Spec P/N: \_\_\_\_\_

Box Qty: 4800

Gift Box Size (mm): \_\_\_\_\_

Gift Box Color: White

Master Carton Size (mm): 340 x 340 x 220

Master Carton Cubic

Volume (m³): 0.03

Master GW (Kg): 10.0 kg

wt Ea. (Kg): 0.00 kg

wt Ea. (Kg): 0.00 kg

LABEL SPECS: \_\_\_\_\_ , \_\_\_\_\_

PACK SPEC: \_\_\_\_\_