

GlobTek, Inc. www.globtek.com 186 Veterans Drive, Northvale, NJ 07647 Tel. (201) 784-1000 Fax (201) 784-0111	Drawing Title: Locking PC mountable jack for 5.5x2.1mm female barrel connector. Unique 48VDC/5A rating.	
	Model No. <a href="#">High Power DC Connectors</a>	Part No./Ordering No. <a href="#">JACK-C-LKWGPC-5A(R)</a>

In Addition to GlobTek Inc.'s renewed ISO9001:2008 - Quality Management System Certification, GlobTek Inc. is now certified to:

- ISO13485:2003 - Medical Devices Quality Management System Certification
- ISO14001:2004 - Environmental Management System Certification

ISO Certificates are available online at <http://www.globtek.com/iso-certificates/>

The acceptance of this specification and use of the product described in this document indicates the acceptance and binding of the customer to Globtek TERMS AND CONDITIONS (attached to the end of this document), which supersede all other agreements, terms, and conditions (<http://en.globtek.com/terms-and-conditions/>).

Prop 65 Statement:<https://en.globtek.com/prop-65-statement.pdf>

Footnote:

GlobTek Inc. will not be liable for the safety and performance of these power supplies if unauthorized access and repair occurs. End user should consult applicable UL, CSA or EN standards for proper installation instruction.

Limitation of Use:

GlobTek products are intended for use with commercial, medical, and/or industrial equipment only. GlobTek product are not authorized for use as mission critical components in life support hazardous environment, nuclear or aircraft applications without prior written approval from the CEO of GlobTek Inc.

Contents of this document are subject to change without prior notice.

**Customer Approval of Specification:**

Please approve, sign and send back to GlobTek so we can complete order processing.  
 A delay in receipt of this form will delay delivery schedule.

Company Name:	Customer P/N:
Quote Number:	Date:
Authorized Representative Name:	Authorized Representative Signature:

GlobTek, Inc. www.globtek.com 186 Veterans Drive, Northvale, NJ 07647 Tel. (201) 784-1000 Fax (201) 784-0111	Drawing Title: Locking PC mountable jack for 5.5x2.1mm female barrel connector. Unique 48VDC/5A rating.	
	Model No. <a href="#">High Power DC Connectors</a>	Part No./Ordering No. <a href="#">JACK-C-LKWGPC-5A(R)</a>
		Rev A

## REVISION HISTORY

REV	DESCRIPTION	SUB	DATE	APPROVED
A	Initial release	jmani	08/10/2022	JANICE

3D CAD FILE:

[https://www.globtek.com/file/dl/JACK-C-LKWGPC-5A\(R\).stp](https://www.globtek.com/file/dl/JACK-C-LKWGPC-5A(R).stp)

AGENCY ONLINE DOCUMENTS

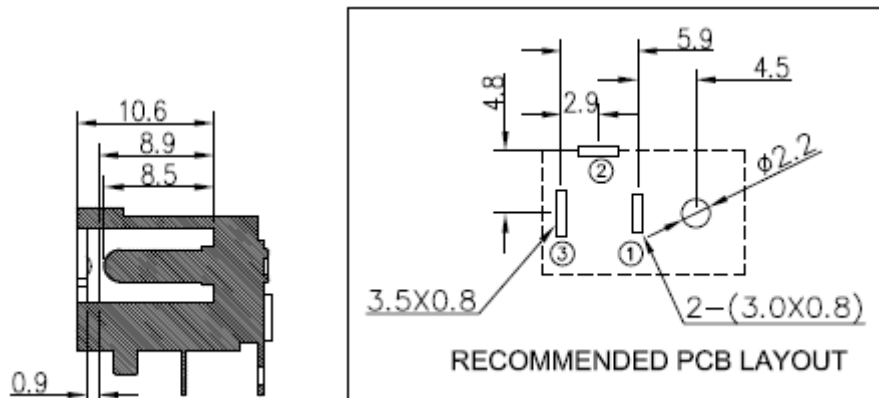
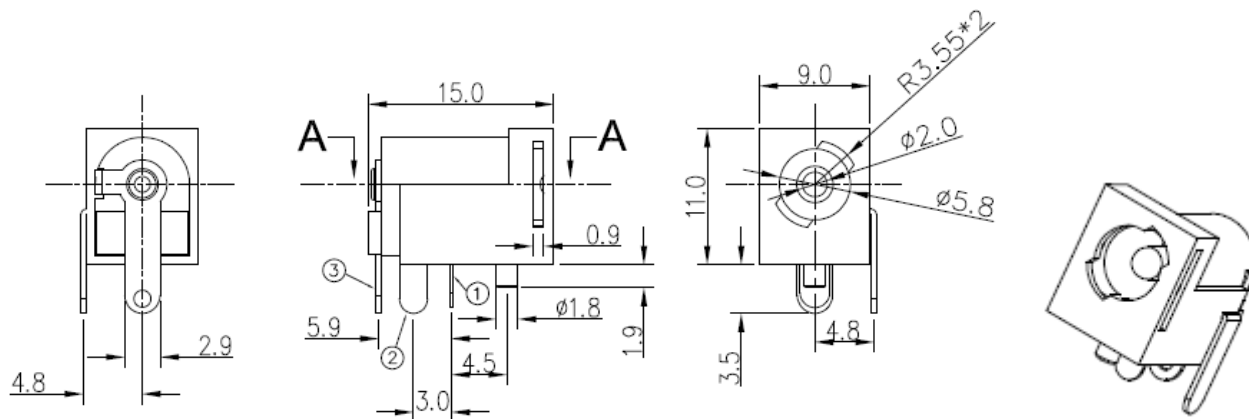
RoHS/RoHS3 Declaration [https://www.globtek.com/pdf/rohs\\_cert/01t3a000004Wjq9AAC](https://www.globtek.com/pdf/rohs_cert/01t3a000004Wjq9AAC)

REACH Declaration [https://www.globtek.com/pdf/iso\\_certificates/REACH.pdf](https://www.globtek.com/pdf/iso_certificates/REACH.pdf)

Conflict Minerals Declaration <https://www.globtek.com/pdf/conflict-minerals.pdf>

Prop 65 Statement <https://en.globtek.com/prop-65-statement.pdf>

IPXY rating is based on 3rd party testing and customers should check suitability and test system level IPXY rating before ordering.



Similar to KLDHCX-0202-AP-LT KLDVHCX-0202-A-LT KLDX-0202-AP-LT KLDX-0202-A-LT KLDHCX-0202-A-LT RAPC722X 722A  
 PC722A 722RA RASH722X PCL722A L722A L722RA L722AS PCL722AS L722RAS RASM722X

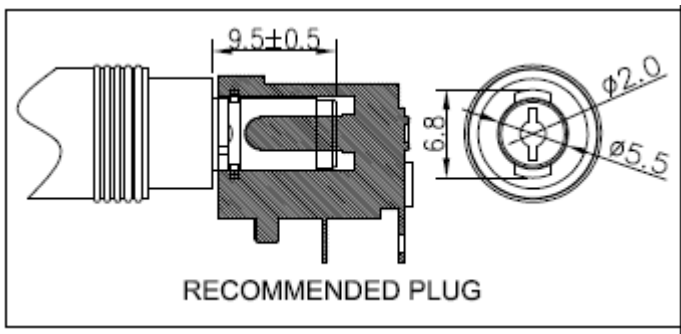
GlobTek, Inc.  
 www.globtek.com  
 186 Veterans Drive,  
 Northvale, NJ 07647  
 Tel. (201) 784-1000  
 Fax (201) 784-0111

Drawing Title: Locking PC mountable jack for 5.5x2.1mm female barrel connector. Unique 48VDC/5A rating.

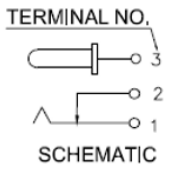
Model No. [High Power DC Connectors](#)

Part No./Ordering No. [JACK-C-LKWGPC-5A\(R\)](#)

Rev A



Mates with: Product part number: [T-C-S-LKWG-S\(R\)](#) KLDX-PA-0202-A-LT S760 S761K S761KS17 S761KS12 S765  
 KLDX-PA-0202-A S761KS15 S766K



	MATERIAL	PLATING
Tip spring	Phosphor bronze	silver
Shunt terminal	Brass	silver
Center pin terminal	Brass	silver
Center pin	H59	copper-tin
Plastic	PBT	

SPECIFICATIONS

parameter	conditions/description	min	typ	max	units
rated input voltage			48		Vdc
rated input current				5	A
contact resistance				30	mΩ
insulation resistance		100			MΩ
voltage withstand	at 50/60Hz for 1 minute 500 Vac			500	Vac
solder pot temperature		240	245	250	°C
soldering time			2		sec
life			5000		cycles

PROPRIETARY INFORMATION

PROPRIETARY OF GLOBTEK, INC. ANY REPRODUCTION, DISCLOSURE OR USE OF THIS DRAWING, IN WHOLE OR IN PART, IS HEREBY PROHIBITED EXCEPT AS SPECIFIED IN WRITING BY GLOBTEK, INC. © GlobTek, Inc. 2022 - 2023

GlobTek, Inc. www.globtek.com 186 Veterans Drive, Northvale, NJ 07647 Tel. (201) 784-1000 Fax (201) 784-0111	Drawing Title: Locking PC mountable jack for 5.5x2.1mm female barrel connector. Unique 48VDC/5A rating.	
	Model No. <a href="#">High Power DC Connectors</a>	Part No./Ordering No. <a href="#">JACK-C-LKWGPC-5A(R)</a>
		Rev A

**PACKAGING**

Packing Spec P/N: \_\_\_\_\_

Box Qty: 1000

Gift Box Size (mm): \_\_\_\_\_

Gift Box Color: White

Master Carton Size (mm): 243 x 243 x 190

Master Carton Cubic

Volume (m³): 0.01

Master GW (Kg): kg

wt Ea. (Kg): kg

wt Ea. (Kg): kg

LABEL SPECS: \_\_\_\_\_ , \_\_\_\_\_

PACK SPEC: \_\_\_\_\_