

GlobTek, Inc. www.globtek.com 186 Veterans Drive, Northvale, NJ 07647 Tel. (201) 784-1000 Fax (201) 784-0111	Drawing Title: Locking PC mountable jack for 5.5x2.5mm female barrel connector. Unique 48VDC/5A rating.	
	Model No. High Power DC Connectors	Part No./Ordering No. JACK-L-LKWGPC-5A(R)
		Rev A

In Addition to GlobTek Inc.'s renewed ISO9001:2008 - Quality Management System Certification, GlobTek Inc. is now certified to:

ISO13485:2003 - Medical Devices Quality Management System Certification
ISO14001:2004 - Environmental Management System Certification

ISO Certificates are available online at <http://www.globtek.com/iso-certificates/>

The acceptance of this specification and use of the product described in this document indicates the acceptance and binding of the customer to Globtek TERMS AND CONDITIONS (attached to the end of this document), which supersede all other agreements, terms, and conditions (<http://en.globtek.com/terms-and-conditions/>).

Prop 65 Statement:<https://en.globtek.com/prop-65-statement.pdf>

Footnote:

GlobTek Inc. will not be liable for the safety and performance of these power supplies if unauthorized access and repair occurs. End user should consult applicable UL, CSA or EN standards for proper installation instruction.

Limitation of Use:

GlobTek products are intended for use with commercial, medical, and/or industrial equipment only. GlobTek product are not authorized for use as mission critical components in life support hazardous environment, nuclear or aircraft applications without prior written approval from the CEO of GlobTek Inc.

Contents of this document are subject to change without prior notice.

Customer Approval of Specification:

Please approve, sign and send back to GlobTek so we can complete order processing.

A delay in receipt of this form will delay delivery schedule.

Company Name: _____	Customer P/N: _____
Quote Number: _____	Date: _____
Authorized Representative Name: _____	Authorized Representative Signature: _____

GlobTek, Inc. www.globtek.com 186 Veterans Drive, Northvale, NJ 07647 Tel. (201) 784-1000 Fax (201) 784-0111	Drawing Title: Locking PC mountable jack for 5.5x2.5mm female barrel connector. Unique 48VDC/5A rating.	
	Model No. High Power DC Connectors	Part No./Ordering No. JACK-L-LKWGPC-5A(R)
		Rev A

REVISION HISTORY

REV	DESCRIPTION	SUB	DATE	APPROVED
A	Initial release	jmani	08/10/2022	JANICE

3D CAD FILE:

[https://www.globtek.com/file/dl/JACK-L-LKWGPC-5A\(R\).stp](https://www.globtek.com/file/dl/JACK-L-LKWGPC-5A(R).stp)

AGENCY ONLINE DOCUMENTS

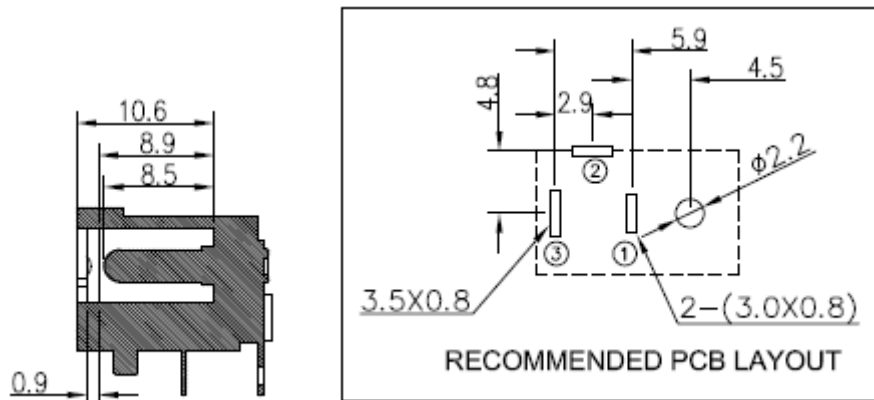
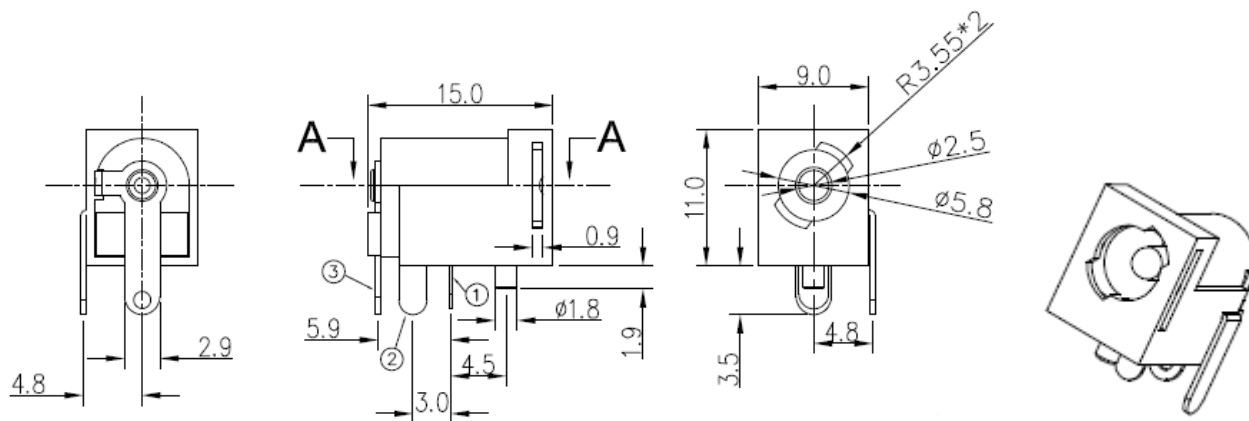
RoHS/RoHS3 Declaration https://www.globtek.com/pdf/rohs_cert/01t3a000004Wju6AAC

REACH Declaration https://www.globtek.com/pdf/iso_certificates/REACH.pdf

Conflict Minerals Declaration <https://www.globtek.com/pdf/conflict-minerals.pdf>

Prop 65 Statement <https://en.globtek.com/prop-65-statement.pdf>

IPXY rating is based on 3rd party testing and customers should check suitability and test system level IPXY rating before ordering.



Similar to KLDHCX-0202-BP-LT KLDX-0202-BP-LT KLDVHCX-0202-B-LT KLDX-0202-B-LT PJ-080BH PJ-001BH-67 PJ-090BH
 PJ-083BH PJ-084BH PJ-079BH PJ-081BH PJ-085BH RAPC712X 712A PC712A L712RA 712RA RASH712X PCL712A
 L712A L712RAS L712AS PCL712AS RASM712X

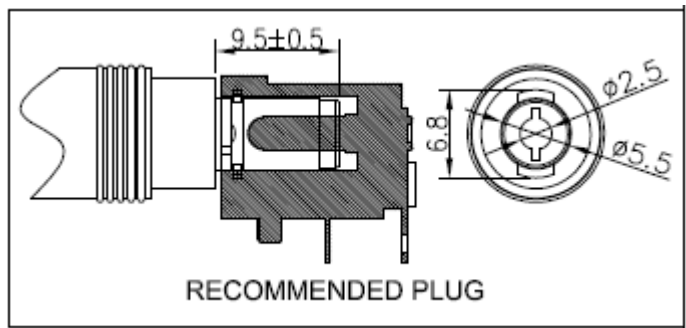
GlobTek, Inc.
 www.globtek.com
 186 Veterans Drive,
 Northvale, NJ 07647
 Tel. (201) 784-1000
 Fax (201) 784-0111

Drawing Title: Locking PC mountable jack for 5.5x2.5mm female barrel connector. Unique 48VDC/5A rating.

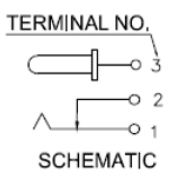
Model No. [High Power DC Connectors](#)

Part No./Ordering No. [JACK-L-LKWGPC-5A\(R\)](#)

Rev A



Mates with: Product part number: [T-L-LKWG-S\(R\)](#), KLDX-PA-0202-B-LT PP3-002BH 55-00050 760 761K 760K 761KS17
 761KS15 761KS12 50-00026 50-00187 KLDX-PA-0202-B 765 50-00314 2P1515



	MATERIAL	PLATING
Tip spring	Phosphor bronze	silver
Shunt terminal	Brass	silver
Center pin terminal	Brass	silver
Center pin	H59	copper-tin
Plastic	PBT	

SPECIFICATIONS

parameter	conditions/description	min	typ	max	units
rated input voltage			48		Vdc
rated input current				5	A
contact resistance				30	mΩ
insulation resistance		100			MΩ
voltage withstand	at 50/60Hz for 1 minute 500 Vac			500	Vac
solder pot temperature		240	245	250	°C
soldering time			2		sec
life			5000		cycles

PROPRIETARY INFORMATION

PROPRIETARY OF GLOBTEK, INC. ANY REPRODUCTION, DISCLOSURE OR USE OF THIS DRAWING, IN WHOLE OR IN PART, IS HEREBY PROHIBITED EXCEPT AS SPECIFIED IN WRITING BY GLOBTEK, INC. © GlobTek, Inc. 2022 - 2023

GlobTek, Inc. www.globtek.com 186 Veterans Drive, Northvale, NJ 07647 Tel. (201) 784-1000 Fax (201) 784-0111	Drawing Title: Locking PC mountable jack for 5.5x2.5mm female barrel connector. Unique 48VDC/5A rating.	
	Model No. High Power DC Connectors	Part No./Ordering No. JACK-L-LKWGPC-5A(R)
		Rev A

PACKAGING

Packing Spec P/N: _____	
Box Qty:	1000
Gift Box Size (mm): _____	
Gift Box Color:	White
Master Carton Size (mm):	243 x 243 x 190
Master Carton Cubic Volume (m³):	0.01
Master GW (Kg):	kg
wt Ea. (Kg):	kg
wt Ea. (Kg):	kg
LABEL SPECS: _____	
PACK SPEC: _____	