

GlobTek, Inc. www.globtek.com 186 Veterans Drive, Northvale, NJ 07647 Tel. (201) 784-1000 Fax (201) 784-0111	Drawing Title: USB Key A 20-pin shielded header aka USB-E (USB TYPE-E) USB 3.2 Gen 2 (USB 3.1 Gen 2, Superspeed + (USB 3.1)) Internal wiring connector, Receptacle Connector 20 Position Surface Mount, Vertical; Through Hole	
	Model No. Connector	Part No./Ordering No. JACK-USBE-20PINTL
		Rev A

In Addition to GlobTek Inc.'s renewed ISO9001:2008 - Quality Management System Certification, GlobTek Inc. is now certified to:

ISO13485:2003 - Medical Devices Quality Management System Certification
ISO14001:2004 - Environmental Management System Certification

ISO Certificates are available online at <http://www.globtek.com/iso-certificates/>

The acceptance of this specification and use of the product described in this document indicates the acceptance and binding of the customer to Globtek TERMS AND CONDITIONS (attached to the end of this document), which supersede all other agreements, terms, and conditions (<http://en.globtek.com/terms-and-conditions/>).

Prop 65 Statement:<https://en.globtek.com/prop-65-statement.pdf>

Footnote:

GlobTek Inc. will not be liable for the safety and performance of these power supplies if unauthorized access and repair occurs. End user should consult applicable UL, CSA or EN standards for proper installation instruction.

Limitation of Use:

GlobTek products are intended for use with commercial, medical, and/or industrial equipment only. GlobTek product are not authorized for use as mission critical components in life support hazardous environment, nuclear or aircraft applications without prior written approval from the CEO of GlobTek Inc.

Contents of this document are subject to change without prior notice.

Customer Approval of Specification:

Please approve, sign and send back to GlobTek so we can complete order processing.
A delay in receipt of this form will delay delivery schedule.

Company Name: _____	Customer P/N: _____
Quote Number: _____	Date: _____
Authorized Representative Name: _____	Authorized Representative Signature: _____

GlobTek, Inc. www.globtek.com 186 Veterans Drive, Northvale, NJ 07647 Tel. (201) 784-1000 Fax (201) 784-0111	Drawing Title: USB Key A 20-pin shielded header aka USB-E (USB TYPE-E) USB 3.2 Gen 2 (USB 3.1 Gen 2, Superspeed + (USB 3.1)) Internal wiring connector, Receptacle Connector 20 Position Surface Mount, Vertical; Through Hole	
	Model No. Connector	Part No./Ordering No. JACK-USBE-20PINTL
		Rev A

REVISION HISTORY

REV	DESCRIPTION	SUB	DATE	APPROVED
A	Initial release	DR	02/19/2023	DAVID

AGENCY ONLINE DOCUMENTS

RoHS/RoHS3 Declaration https://www.globtek.com/pdf/rohs_cert/01t3a000005hB6XAAU

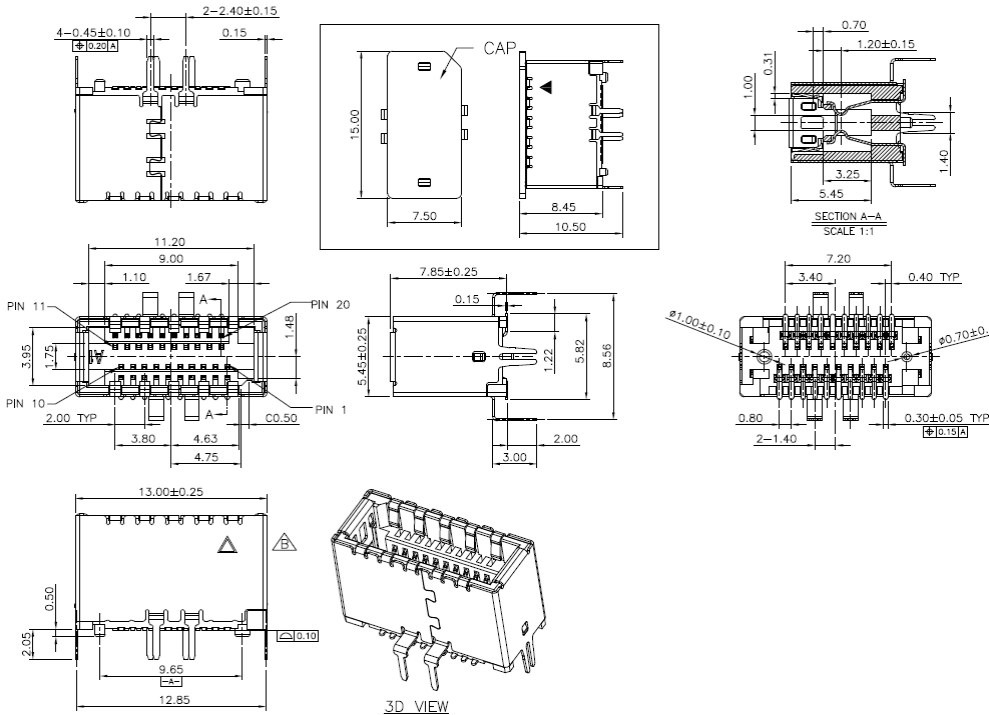
REACH Declaration https://www.globtek.com/pdf/iso_certificates/REACH.pdf

Conflict Minerals Declaration <https://www.globtek.com/pdf/conflict-minerals.pdf>

Prop 65 Statement <https://en.globtek.com/prop-65-statement.pdf>

IPXY rating is based on 3rd party testing and customers should check suitability and test system level IPXY rating before ordering.
 USB Key A 20-pin shielded header PCB mounted receptacle/Jack.

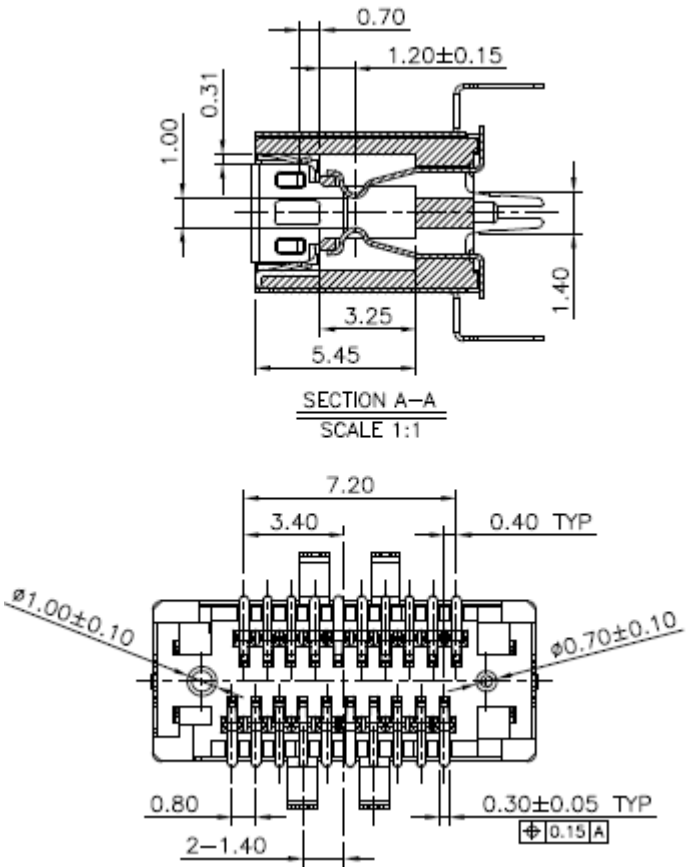
Mechanical Drawing



PROPRIETARY INFORMATION

PROPRIETARY OF GLOBTEK, INC. ANY REPRODUCTION, DISCLOSURE OR USE OF THIS DRAWING, IN WHOLE OR IN PART, IS HEREBY PROHIBITED EXCEPT AS SPECIFIED IN WRITING BY GLOBTEK, INC. © GlobTek, Inc. 2023 - 2023
 guest /03/26/2023 12:35:05 PM CLONED FROM JACK-USBC-6SMT-2SL

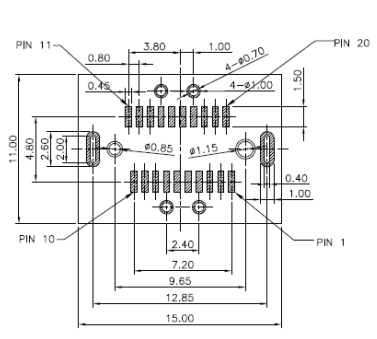
GlobTek, Inc. www.globtek.com 186 Veterans Drive, Northvale, NJ 07647 Tel. (201) 784-1000 Fax (201) 784-0111	Drawing Title: USB Key A 20-pin shielded header aka USB-E (USB TYPE-E) USB 3.2 Gen 2 (USB 3.1 Gen 2, Superspeed + (USB 3.1)) Internal wiring connector, Receptacle Connector 20 Position Surface Mount, Vertical; Through Hole
	Model No. Connector
Part No./Ordering No. JACK-USBE-20PINTL	Rev A



Mates With
 Product part number: PLUG-USBE-20PINBM
 Datasheet: <https://globtek.secure.force.com/spec/pdf/2512947/U5M2930750>

Product part number: PLUG-USBE-20PINST
 Datasheet: <https://globtek.secure.force.com/spec/pdf/2512946/U5M2930749>

Wiring Instructions



Pin Map to support one Type-C port

P11	P12	P13	P14	P15	P16	P17	P18	P19	P20
VBUS	TX2+	TX2-	GND	RX2+	RX2-	GND	D-	D+	CC2
SBU2	SBU1	CC1	VBUS	RX1-	RX1+	GND	TX1-	TX1+	VBUS
P10	P09	P08	P07	P06	P05	P04	P03	P02	P01

Pin Map to support two Standard-A ports

P11	P12	P13	P14	P15	P16	P17	P18	P19	P20
VBUS			GND			GND	D-	D+	
			VBUS	RX1-	RX1+	GND	TX1-	TX1+	VBUS
P10	P09	P08	P07	P06	P05	P04	P03	P02	P01

GlobTek, Inc. www.globtek.com 186 Veterans Drive, Northvale, NJ 07647 Tel. (201) 784-1000 Fax (201) 784-0111	Drawing Title: USB Key A 20-pin shielded header aka USB-E (USB TYPE-E) USB 3.2 Gen 2 (USB 3.1 Gen 2, Superspeed + (USB 3.1)) Internal wiring connector, Receptacle Connector 20 Position Surface Mount, Vertical; Through Hole	
	Model No. Connector	Part No./Ordering No. JACK-USBE-20PINTL

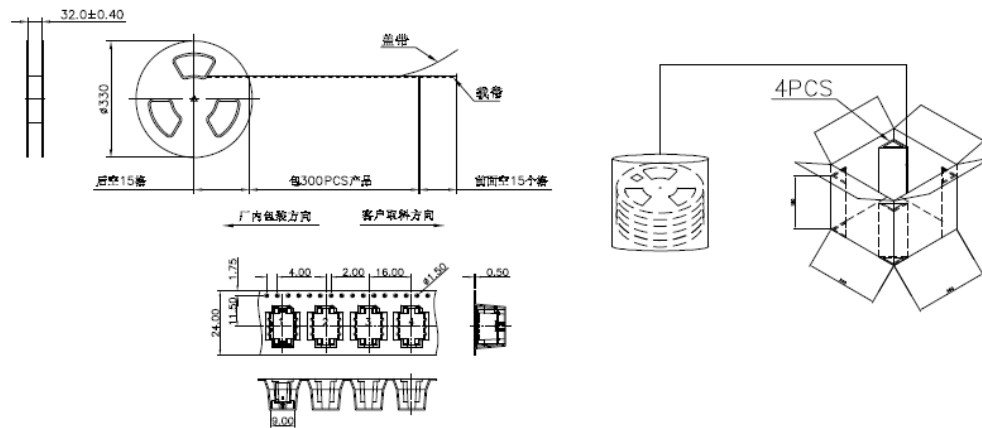
IF EMI SHELL SOLDER LEAD IS CONNECTED TO THE ADJACDAT GND PIN VIA TRACE, IT MUST BE ISOLATED BY SOLDER RESIST

SPECIFICATION:

CURRENT RATING: 3.0A MAX.

1. VOLTAGE: 100VAC
2. TEMPERATURE RANGE: -30°C – 85°C
3. CONTACT RESISTANCE: 50 MILLIONHM MAX
4. INSULATION RESISTANCE : 1000 MEGOHMS MIN.
5. INSERTION FORCE: 35N max
6. UNMATING FORCE: 15N min
7. DURABILITY: 50 CYCLES
8. [Complies with USB 3.1](#)

PACKAGING



REEL MATERIAL: PET
 TAP MATERIAL: PET
 TOLERANCE +/-0.08MM

QUANTITY/REEL: 300 PCS

QUANTITY/INNER CARTON: 1800 PCS

15 EMPTY POSITIONS IN THE FRONT AND END OF CARRIER

MASTER CARTON, 6 REELS, 340X340X180MM

PROPRIETARY INFORMATION

PROPRIETARY OF GLOBTEK, INC. ANY REPRODUCTION, DISCLOSURE OR USE OF THIS DRAWING, IN WHOLE OR IN PART, IS HEREBY PROHIBITED EXCEPT AS SPECIFIED IN WRITING BY GLOBTEK, INC. © GlobTek, Inc. 2023 - 2023
 guest /03/26/2023 12:35:05 PM CLONED FROM JACK-USBC-6SMT-2SL

GlobTek, Inc. www.globtek.com 186 Veterans Drive, Northvale, NJ 07647 Tel. (201) 784-1000 Fax (201) 784-0111	Drawing Title: USB Key A 20-pin shielded header aka USB-E (USB TYPE-E) USB 3.2 Gen 2 (USB 3.1 Gen 2, Superspeed + (USB 3.1)) Internal wiring connector, Receptacle Connector 20 Position Surface Mount, Vertical; Through Hole	
	Model No. Connector	Part No./Ordering No. JACK-USBE-20PINTL
		Rev A

PACKAGING

Packing Spec P/N: _____

Box Qty: 300

Gift Box Size (mm): _____

Gift Box Color: White

Master Carton Size (mm): 180 x 340 x 340

Master Carton Cubic

Volume (m³): 0.02

Master GW (Kg): kg

wt Ea. (Kg): kg

wt Ea. (Kg): kg

LABEL SPECS: _____ , _____

PACK SPEC: _____